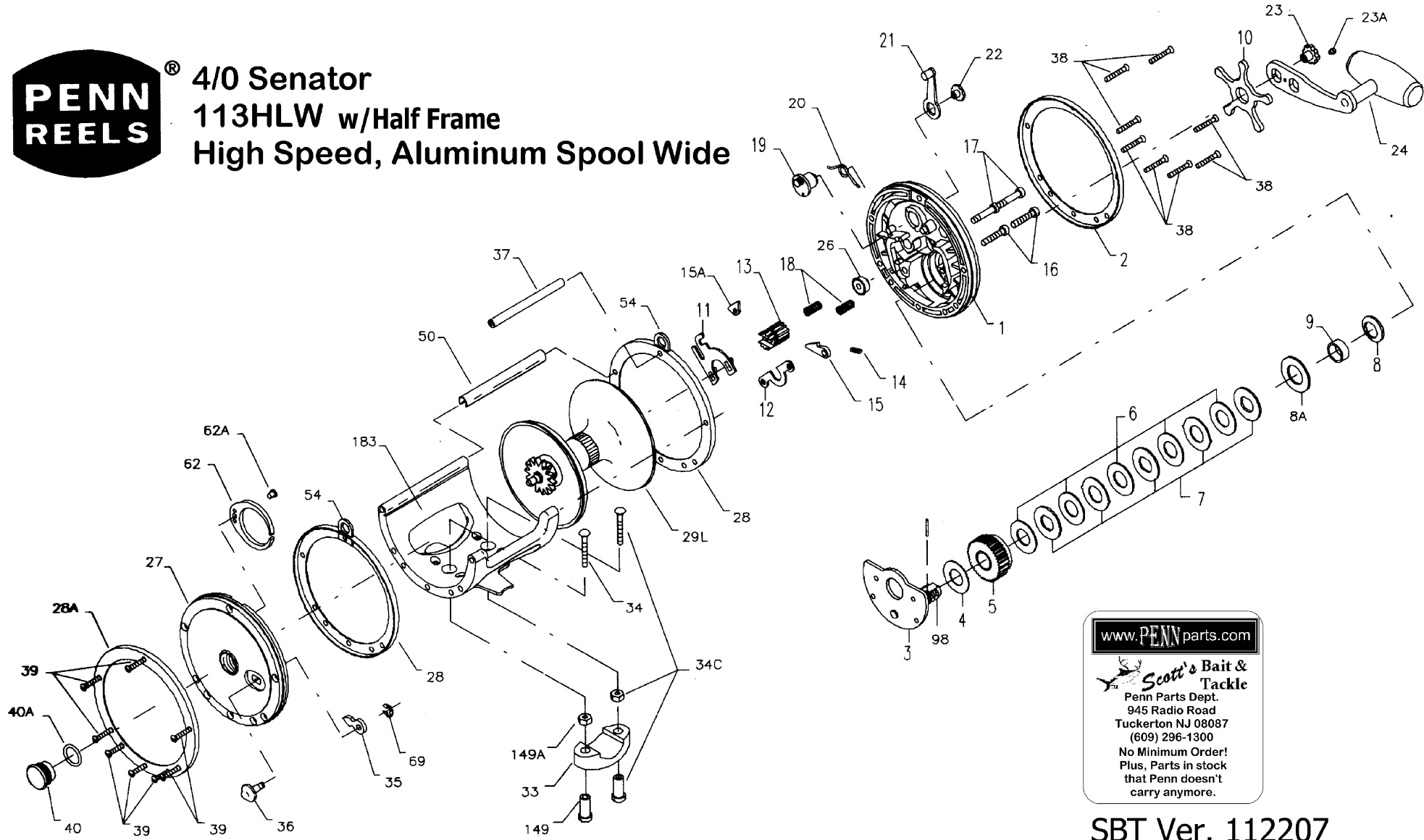




**4/0 Senator**  
**113HLW w/Half Frame**  
**High Speed, Aluminum Spool Wide**



[www.PENNparts.com](http://www.PENNparts.com)

**Scott's Bait & Tackle**  
Penn Parts Dept.  
945 Radio Road  
Tuckerton NJ 08087  
(609) 296-1300  
No Minimum Order!  
Plus, Parts in stock  
that Penn doesn't  
carry anymore.

## Penn Reel Parts list for Model: 113HLW w/ Half Frame

KEY PART			KEY PART		
NO	NO.	DESCRIPTION	NO	NO.	DESCRIPTION
1	1-113H	HANDLE SIDE PLATE	26	26-113H	HANDLE SIDE BEARING
2	2-113H-O	OUTER RING SIDE RING	27	27N-113H	NON-HANDLE SIDE PLATE
3	3-113H	BRIDGE W/ SLEEVE	28	2-113-I	INNER SIDE RING
4	4-349	FIBER WASHER	28A	2-113-O	OUTER NON-HANDLE SIDE RING
5	5-113H	MAIN GEAR	29L	29L-113HLW	SPOOL
6	6-113H	DRAG WASHER (5 REQ.)	31	32-18	HANDLE SIDE STAND SCREW (3REQ)
7	7C-113H	METAL WASHER SET	32	32-17	NON-HANDLE SIDE STAND SCREW (3REQ)
8	8-349	TENSION SPRING	33	33-113	ROD CLAMP
8A	18-970	TENSION SPRING DRAG	*	33R-200	RINGED ROD CLAMP (OPTIONAL)
9	9-113H	SPACING SLEEVE	34	34-45	CLAMP SCREW (ONLY)
10	10-349	STAR DRAG WHEEL	34C	34C-45	ROD CLAMP SCREW W/ NUTS
11	11-113	ECCENTRIC JACK	35	35-60	CLICK TONGUE
12	12-60	PINION YOKE	36	36-113	CLICK BUTTON
13	13-113H	PINION	37	37-113HLW	FRAME POST
14	14-99	DOG SPRING	38 + 39	39-9	POST SCREW, BOTH SIDES
15	15-113H	DOG	40	**40-113HL	NON-HANDLE SIDE BEARING
16	16-113H	LOWER BRIDGE SCREW	40A	120-113H	NON-HANDLE SIDE BEARING O-RING
17	17-113H	UPPER BRIDGE SCREW	50	50-113HLW	FRAM COVER POST
18	18-60	CLUTCH SPRING	54	54-113	HARNES LUG
19	19-113	ECCENTRIC	62	62-309	CLICK SPRING
20	20-155	ECCENTRIC SPRING	62A	63-209	CLICK SPRING SCREW
21	21-66	ECCENTRIC LEVER	69	69B-600	RETAINING RING
22	22-99	ECCENTRIC SCREW	98	98-320	GEAR SLEEVE
23	23-114	HANDLE SCREW	149	149-45	CLAMP NUT
23A	110-60	HANDLE LOCK SCREW	149A	149-200	HEX NUT
24	24-349H	HANDLE	183	183-113HLW	FRAME W/ STAND

NOTE: Many of [www.pennparts.com](http://www.pennparts.com) schematics include changes that were either made by Penn, or errors found and corrected by our parts dept.

SBT Ver. 101012 Based on Penns Rev1

NOTES: 50-113HLW was originally called 37C-113HLW on older schematics which caused some confusion as this # belonged to the frame bar on the original versions