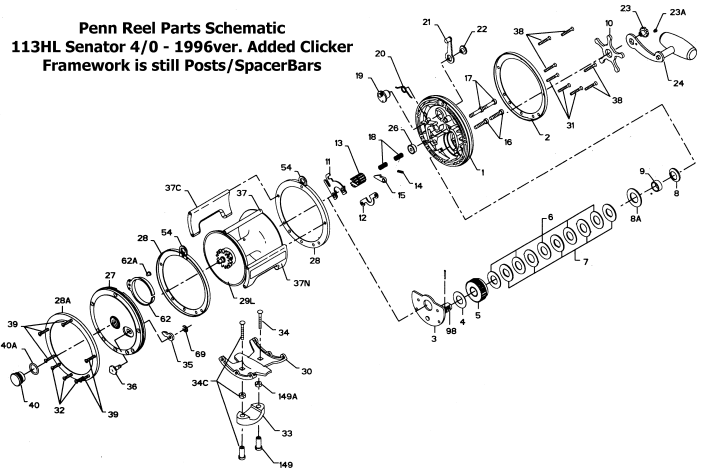


Penn Reel Parts Schematic
113HL Senator 4/0 - 1996ver. Added Clicker
Framework is still Posts/SpacerBars



Penn Reel Parts list for Model: 113HL w/posts 1996 w/ Clicker

KEY PART			KEY PART		
NO	NO.	DESCRIPTION	NO	NO.	DESCRIPTION
1	1-113H	HANDLE SIDE PLATE	28	2-113-I	INNER SIDE RING
2	2-113H-O	OUTER RING SIDE RING	28A	2-113-O	OUTER NON-HANDLE SIDE RING
3	3-113H	BRIDGE W/ SLEEVE	29L	29L-113HL	SPOOL
4	4-349	FIBER WASHER	30	30-113	STAND
5	5-113H	MAIN GEAR	31	32-17	NON-HANDLE SIDE STAND SCREW (3 REQ)
6	6-113H	DRAG WASHER (5 REQ.)	32	32-18	HANDLE SIDE STAND SCREW (3 REQ)
7	7C-113H	METAL WASHER SET	33	33-113	ROD CLAMP
8	8-349	TENSION SPRING	*	33R-200	RINGED ROD CLAMP (OPTIONAL)
8A	18-970	TENSION SPRING DRAG	34	34-45	CLAMP SCREW (ONLY)
9	9-113H	SPACING SLEEVE	34C	34C-45	ROD CLAMP SCREW W/ NUTS
10	10-349	STAR DRAG WHEEL	35	35-60	CLICK TONGUE
11	11-113	ECCENTRIC JACK	36	36-113	CLICK BUTTON
12	12-60	PINION YOKE	37	37-113	FRAME POST
13	13-113H	PINION	37A	37A-113HL	SPACER BAR (SET)
14	14-99	DOG SPRING	37C	37C-113HL	SPACER BAR (REAR)
15	15-113H	DOG	37N	37N-113HL	SPACER BAR (FRONT)
16	16-113H	LOWER BRIDGE SCREW	38	39-9	HANDLE SIDE POST SCREWS (5REQ)
17	17-113H	UPPER BRIDGE SCREW	39	39-3	NON-HANDLE SIDE POST SCREW (5 REQ)
18	18-60	CLUTCH SPRING	40	40-113HL	NON-HANDLE SIDE BEARING
19	19-113	ECCENTRIC	40A	120-113H	NON-HANDLE SIDE BEARING O-RING
20	20-155	ECCENTRIC SPRING	54	54-113	HARNES LUG
21	21-66	ECCENTRIC LEVER	62	62-309	CLICK SPRING
22	22-99	ECCENTRIC SCREW	62A	63-209	CLICK SPRING SCREW
23	23-114	HANDLE SCREW	69	69B-600	RETAINING RING
23A	110-60	HANDLE LOCK SCREW	98	98-320	GEAR SLEEVE
24	24-349H	HANDLE	149	149-45	CLAMP NUT
26	26-113H	HANDLE SIDE BEARING	149A	149-200	HEX NUT
27	27N-113H	NON-HANDLE SIDE PLATE			

NOTE: Many of www.pennparts.com schematics include changes that were either made by Penn, or errors found and corrected by our parts dept.