

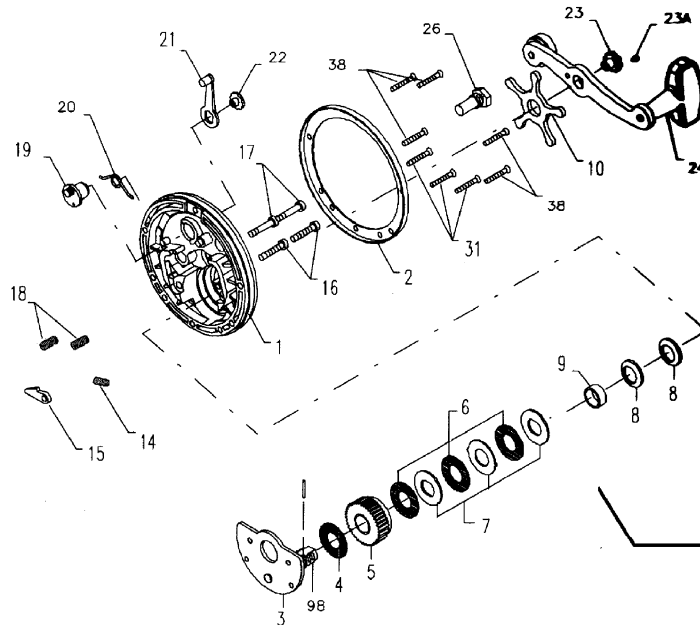
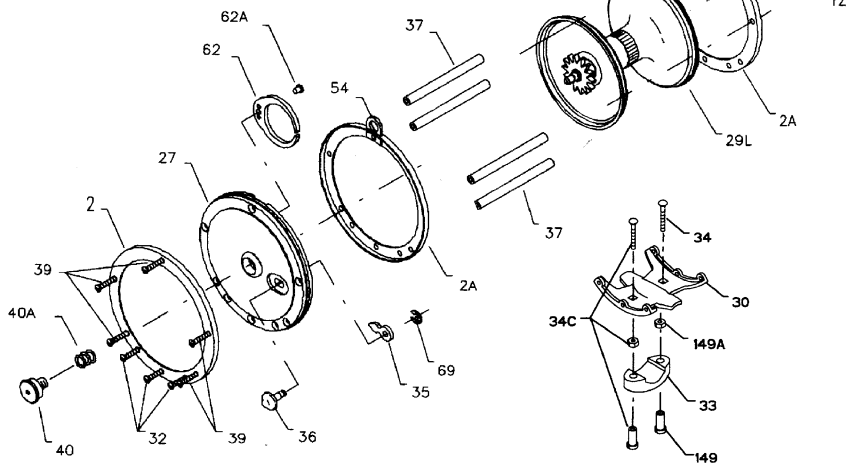
www.PENNparts.com

Scott's Bait & Tackle

Penn Parts Dept.
945 Radio Road
Tuckerton NJ 08087
(609) 296-1300

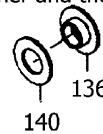
No Minimum Order!
Plus, Parts in stock
that Penn doesn't
carry anymore.

SBT Ver. 090713



Older reels had drags accessible from outside the reel, using the 140 felt washer and the 136 collar/cap.

Those older reels did not have a 9 collar or the 8A washer between the 9 and the star drag.



**4/0 Senator
113**

Orig. Version w/posts

Penn Reel Parts list for Model: 113 4/0 Senator

KEY NO	PART NO.	DESCRIPTION	KEY NO	PART NO.	DESCRIPTION
1	1-113	HANDLE SIDE PLATE	24	24-66	HANDLE
2	2-113-O	OUTER RING (2 REQ.)	26	26-60	HANDLE SIDE BEARING
2A	2-113-I	INNER RING (2 REQ.)	27	27-113	NON-HANDLE SIDE PLATE
3	3-113	BRIDGE W/ SLEEVE	29	29L-113	SPOOL
4	4-60	FIBER WASHER	30	30-113	STAND
5	5-66	MAIN GEAR	31	32-17	HANDLE SIDE STAND SCREW
6	6-113	DRAG WASHER (3 REQ.)	32	39-9	NON-HANDLE SIDE STAND SCREW (3 REQ)
7	7C-60	METAL DRAG WASHER SET	33	33-113	ROD CLAMP
8	8-60	TENSION SPRING (2 REQ.)	*	33R-200	RINGED ROD CLAMP (OPTIONAL)
9	9-66	SPACING SLEEVES	34	34-45	CLAMP SCREW (2 REQ.)
10	10-66	STAR DRAG WHEEL	34C	34C-45	ROD CLAMP SCREW W/ NUTS
11	11-113	ECCENTRIC JACK	35	35-60	CLICK TONGUE
12	12-113	PINION YOKE	36	36-113	CLICK BUTTON
13	13-113	PINION	37	37-113	FRAME POST (5 REQ.)
14	14-99	DOG SPRING	38	39-9	HANDLE SIDE SCREW (5 REQ.)
15	15-99	DOG	39	39-9	NON-HANDLE SIDE SCREW (5 REQ.)
16	16-60CH	LOWER BRIDGE SCREW (2 REQ.)	40	40-60	NON-HANDLE SIDE BEARING
17	17-60CH	UPPER BRIDGE SCREW (2 REQ.)	41	41-60	NON-HANDLE SIDE BEARING SPRING
18	18-60	CLUTCH SPRING (2 REQ.)	54	54-113	HARNES LUG (2 REQ.)
19	19-113	ECCENTRIC	62	62-309	CLICK SPRING
20	20-155	ECCENTRIC SPRING	62A	63-209	CLICK SPRING SCREW
21	21-66	ECCENTRIC LEVER	69	69B-600	RETAINING RING
22	22-99	ECCENTRIC SCREW	98	98-60	GEAR SLEEVE
23	23-60	HANDLE SCREW	149	149-45	ROD CLAMP NUT (2 REQ.)
23A	110-60	HANDLE LOCK SCREW	149	149-200	HEX NUT (2 REQ.)

* *Not Shown*

NOTE: Many of www.pennparts.com schematics include changes that were either made by Penn, or errors found and corrected by our parts dept.

SBT Ver. 090713

THESE OLD STYLE PARTS ARE NOT AVAILABLE:

- 136 136-113 Collar (old style outer access drags)
- 140 140-113 Felt Washer (old style outer access drags)