



# Penn Reel Schematic 111 2/0 Senator

Using a 112H schematic and 112 reel  
built 11/20/03  
No original schematic available

## SBT Ver. 050913

Clicker is built into the key#27  
sideplate, not replaceable as  
seperate pieces

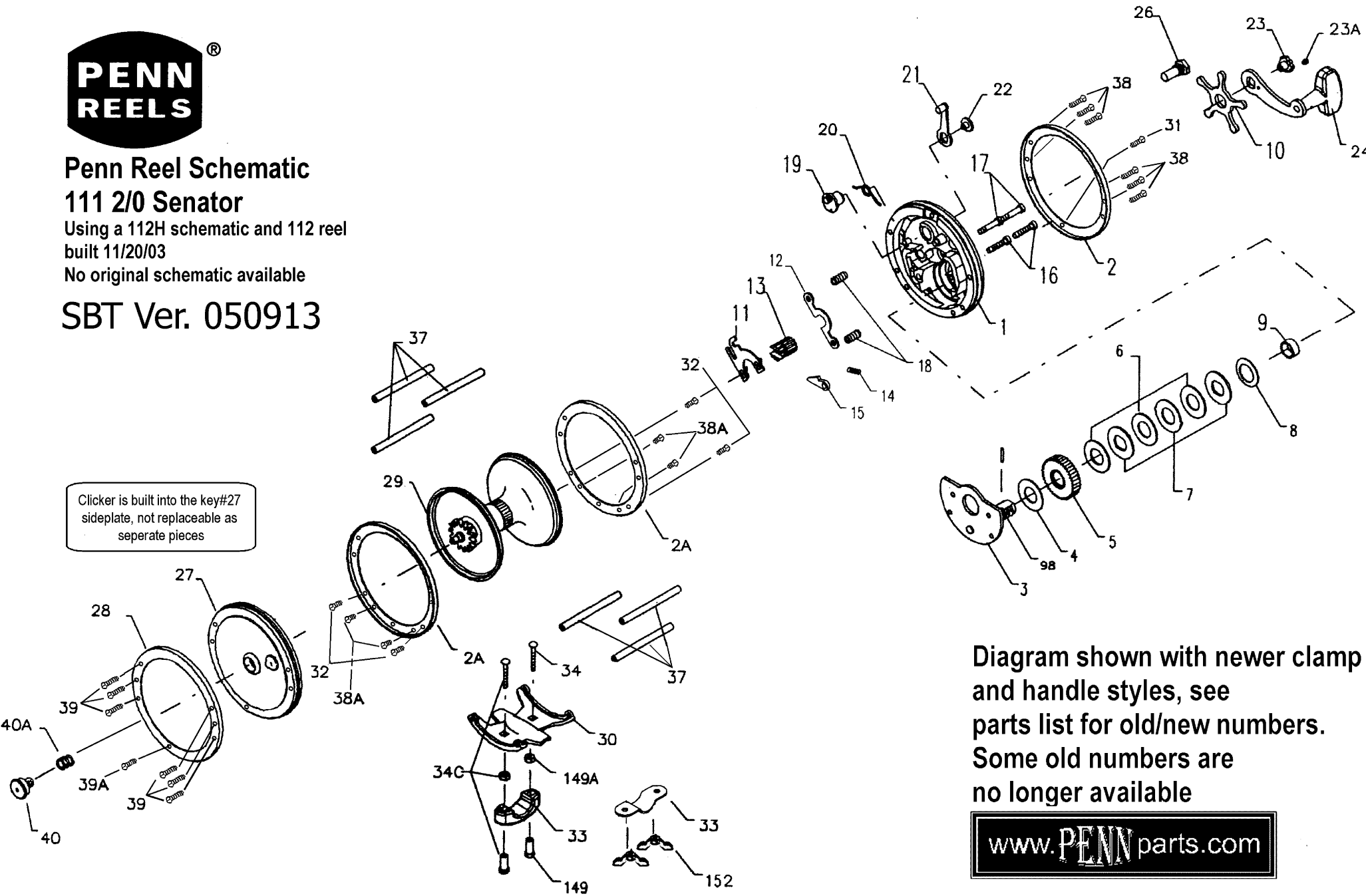


Diagram shown with newer clamp  
and handle styles, see  
parts list for old/new numbers.  
Some old numbers are  
no longer available



# Penn Reel Parts list for Model 111 2/0 Senator

KEY PART			KEY PART		
NO	NO.	DESCRIPTION	NO	NO.	DESCRIPTION
1	1-111	HANDLE SIDE PLATE	20	20-60L	ECCENTRIC SPRING
2	2-111-O	OUTER HANDLE SIDE RING	21	21-66	ECCENTRIC LEVER
2A	2-111-I	INNER RING (2 REQUIRED)	22	22-99	ECCENTRIC SCREW
3	3-66	BRIDGE W/ SLEEVE	23	23-60	HANDLE SCREW
4	4-60	FIBER WASHER	23A	110-60	HANDLE LOCK SCREW
5	5-66	MAIN GEAR	24	24-155	HANDLE
6	6-113	DRAG WASHER (3 REQUIRED)	26	26-60	HANDLE SIDE BEARING
7	7C-60	METAL DRAG WASHER SET (3 REQUIRED)	27	27-111	NON-HANDLE SIDE PLATE w/clicker
8	8-60	TENSION SPRING	28	2-111-O	OUTER NON-HANDLE SIDE RING
9	9-66	SPACING SLEEVE	29	29M-60	SPOOL
10	10-60	STAR DRAG WHEEL	30	30-111	STAND
11	11-60	ECCENTRIC JACK	31	39-3	HANDLE SIDE OUTER STAND SCREW (1)
12	12-60	PINION YOKE	32	32-15	INNER R/L STAND SCREWS (4 REQUIRED)
13	13-49	PINION	37	37-60	FRAME POST (6 REQUIRED)
14	14-99	DOG SPRING	38	39-9	HANDLE SIDE POST SCREW (4 REQUIRED)
15	15-99	DOG	38A	39-10	INNER R/L POST SCREW (8 REQUIRED)
16	16-60CH	LOWER BRIDGE SCREW (2 REQUIRED)	39	39-3	NON-HANDLE SIDE POST SCREW (4 REQUIRED)
17	17-60CH	UPPER BRIDGE SCREW (2 REQUIRED)	39A	32-17	NON-HANDLE SIDE OUTER STAND SCREW (1)
18	18-60	CLUTCH SPRING (2 REQUIRED)	40	40-60	NON-HANDLE SIDE BEARING
19	19-250	ECCENTRIC	41	41-60	NON-HANDLE SIDE BEARING SPRING
			98	98-60	GEAR SLEEVE

NOTE: Many of [www.pennparts.com](http://www.pennparts.com) schematics include changes that were either made by Penn, or errors found and corrected by our parts dept.

SBT Ver. 101213

## TRADITIONAL STYLE CLAMPS

33	33-200	CLAMP, THIN METAL
	33R-200	CLAMP, THIN METAL W/RING
34	34-49	CLAMP SCREW (2 )
149A	149-200	HEX NUT (2 )
152	152-200	WING NUT (2)

## NEWER STYLE CLAMPS

33	33-113	CLAMP, THICK, GRAPHITE
	33N-113	CLAMP, THICK, GRAPHITE W/RING
	33-16VS	CLAMP, THICK, COMP.METAL
34	34-49	CLAMP SCREW (2 )
149A	149-200	HEX NUT (2 )
149	149-45	ROD CLAMP NUT (2 )