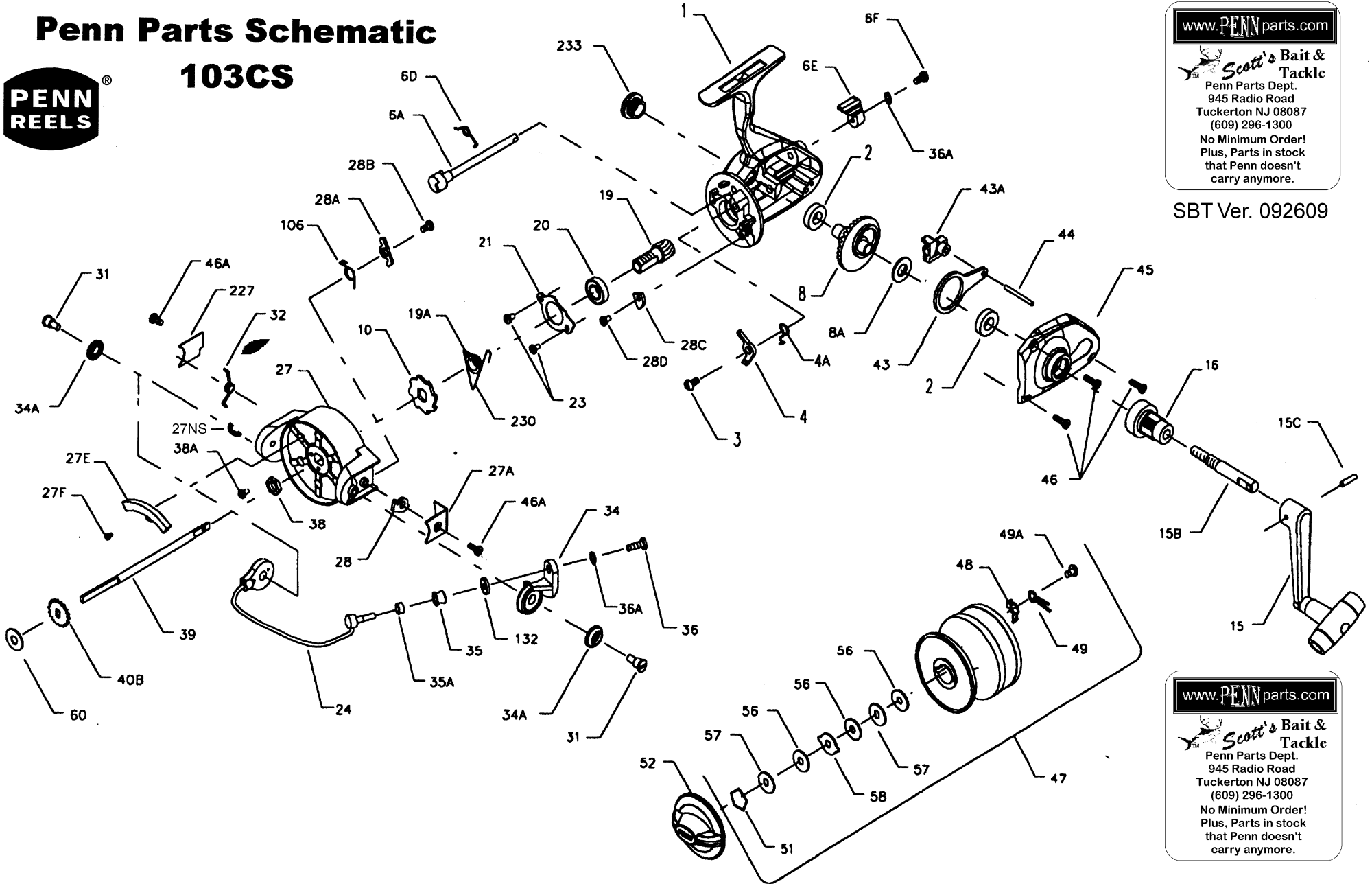


# Penn Parts Schematic

## 103CS



www.PENNparts.com  
**Scott's Bait & Tackle**  
Penn Parts Dept.  
945 Radio Road  
Tuckerton NJ 08087  
(609) 296-1300  
No Minimum Order!  
Plus, Parts in stock  
that Penn doesn't  
carry anymore.

SBT Ver. 092609

www.PENNparts.com  
**Scott's Bait & Tackle**  
Penn Parts Dept.  
945 Radio Road  
Tuckerton NJ 08087  
(609) 296-1300  
No Minimum Order!  
Plus, Parts in stock  
that Penn doesn't  
carry anymore.

## Penn Reel Parts list for:

## Model: 103CS

KEY NO	PART NO.	DESCRIPTION	KEY NO	PART NO.	DESCRIPTION
1	1-103CS	HOUSING W/BUSHING & EMBLEM	32	32-103	BAIL SPRING
2	2-103	HOUSING BUSHING ( uses 2 )	34	34-103CS	BAIL ARM
3	3-103	DOG MOUNTING SCREW	34A	34A-103	BAIL ARM SPACER ( uses 2 )
4	4-103C	DOG	35	35-103CS	LINE ROLLER
4A	4A-103CS	DOG SPRING	35A	35A-103CS	LINE ROLLER BUSHING
6A	6A-103CS	ECCENTRIC	36	36-103CS	BAIL STUD SCREW
6D	6D-103	ECCENTRIC SPRING	36A	36A-103	LOCK WASHER ( uses 2 )
6E	6E-103	ECCENTRIC LEVER	38	38-103	ROTOR NUT
6F	6F-101	ECCENTRIC LEVER MOUNTING SCREW	38A	38A-103CS	ROTOR NUT SCREW
8	8-103C	MAIN GEAR ASSEMBLY	39	39-103C	CROSSWIND SHAFT
8A	8A-103	MAIN GEAR SHIM	40B	40B-103	CLICK RATCHET
10	10-103C	ANTI-REVERSE RATCHET	43	43-103	CROSSWIND ARM
15	15-103	HANDLE	43A	43A-103CS	CROSSWIND BLOCK
15B	15B-103	HANDLE SHAFT	44	44-103C	CROSSWIND ARM PIN
15C	15C-103	HANDLE PIVOT PIN	45	45-103CS	HOUSING COVER W/BUSHING
16	16-103	HANDLE COLLAR	46	46-103	HOUSING COVER SCREW ( uses 4 )
19	19-103C	PINION GEAR	46A	46A-103	ROTOR END COVER SCREW ( uses 2 )
19A	19A-103C	PINION GEAR SPACER	47	47-103CS	SPOOL (COMPLETE)
20	20-103	BALL BEARING	48	48-103CS	CLICK TONGUE
21	21-103C	BEARING COVER	49	49-103CS	CLICK SPRING
23	23-103	BEARING COVER SCREW ( uses 2 )	49A	22-103CS	CLICK SPRING SCREW
24	24-103CS	BAIL WIRE	51	51-103	RETAINING RING
27	27-103CS	ROTOR CUP	52	52-103CS	DRAG KNOB
27A	27A-103	ROTOR END COVER	56	56T-103	DRAG WASHER (TEFLON) ( uses 3 )
27E	27E-103CS	BALANCE WEIGHT	57	57-103	DRAG WASHER (KEYED) ( uses 2 )
27F	27F-103CS	BALANCE WEIGHT SCREW	58	58-103	DRAG WASHER (EAR)
27NS	27NS***	SMALL CURVED WEIGHT, NOT SERVICED	60	60-103	THRUST WASHER (TEFLON)
28	28-103	TRIP LEVER	106	106-103	CAM LEVER SPRING
28A	28A-103	CAM LEVER	132	132-103CS	ROLLER WASHER
28B	28B-103	CAM LEVER MOUNTING SCREW	227	227-103	BAIL SPRING COVER
28C	28C-103	TRIP CAM	230	230-103C	SILENT DOG SPRING
28D	46A-103	CAM MOUNT SCREW	233	233-103	HOUSING HANDLE CAP
31	31-103	BAIL ARM SCREW ( uses 2 )			

NOTE: Many of [www.pennparts.com](http://www.pennparts.com) schematics include changes that were either made by Penn, or errors found and corrected by our parts dept.

SBT Ver. 092609

27NS\*\*\* This is the small curved weight pressed into the rotor cup on the side with the bail spring, underneath where the bail wire screws onto the rotor. It is a factory glued in part and is not serviced by Penn.