

U.S. SENATOR INTRODUCTION

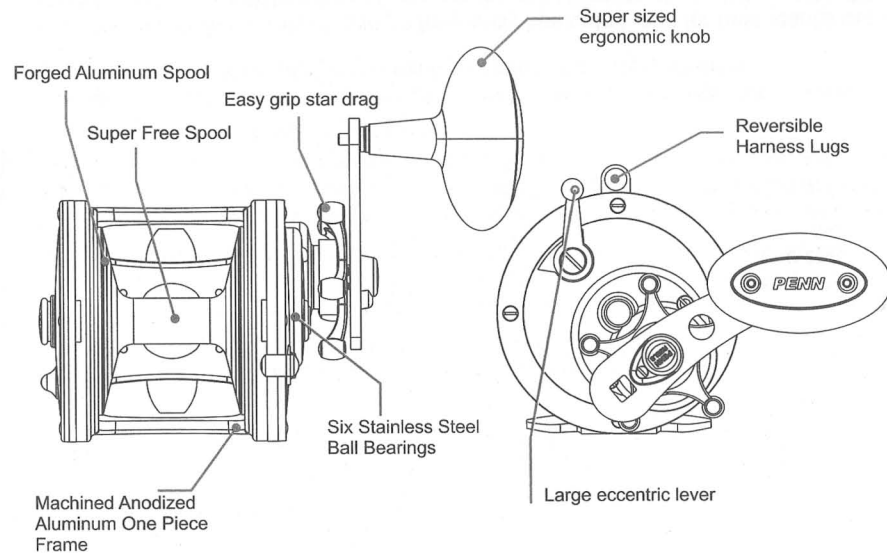
Congratulations on the purchase of your U.S. Senator. These reels combine all of the latest manufacturing techniques with PENN's commitment to build the highest quality fishing reels. Made with pride in the U.S.A., this heavy-duty reel is perfect for a number of nearshore and offshore fishing applications. To get the most out of your reel take a few minutes to read over this manual and hold onto it for future reference. Good Fishing!

U.S. SENATOR SPECIFICATIONS

MODEL	LINE CAP. MONO	GEAR RATIO	WEIGHT
US113N	40 lb/320yds • .61mm/290m	4.3:1	29.1 oz • 824 g
US113	50 lb/325yds • .71mm/300m	4.3:1	29.9 oz • 848 g
US113W	50 lb/425yds • .71mm/390m	4.3:1	31.0 oz • 877 g

NOTE: The super braided lines, with extremely thin diameters for their stated breaking strength, can dramatically increase the line capacity of your reel. Check with your local PENN dealer, and above all, use common sense when fishing with these lines to avoid any possible warranty problems.

FEATURES



PENN Fishing Tackle Mfg. Co.,
Philadelphia, PA U.S.A.
www.pennreels.com
PEN-252-US113-ver1
04/14

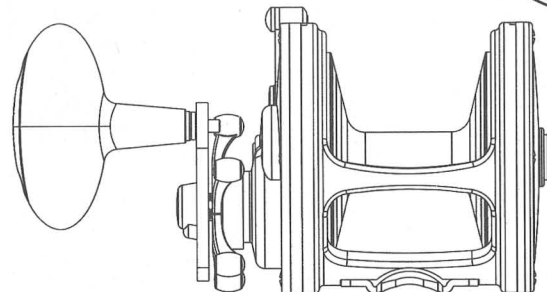
HOW TO ORDER PENN REEL PARTS

1. Call the PENN Parts Department at (800) 892-5444 between 8:30 am and 4:30 pm U.S. East Coast time to order your PENN Parts over the telephone. Accepted means of payment include only the following credit cards: Mastercard, Visa, American Express, and Discover. COD, personal checks, or cash are not accepted.
2. PENN Parts may also be ordered through PENN's local dealer network. Check your telephone directory for a PENN Dealer near you, or visit PENN's website at www.pennreels.com to locate a nearby dealer.

PENN Fishing Tackle Mfg. Co. reserves the right to discontinue models and make changes in design specifications without notice. PENN's policy of ongoing research may necessitate design changes for Product performance improvement.



U.S. Senator



Copyright 2014 PENN Fishing Tackle Mfg. Co.

INSTRUCTION MANUAL

PENN FISHING TACKLE MFG. CO.

**Order Parts Online! ~ We ship to entire USA
and some International locations**

Scott's
Bait & Tackle

www.PENNparts.com

U.S. SENATOR FEATURES

Heavy Duty Gears. Heat treated stainless steel pinion gear and stainless steel main gear are precision machined, for heavy use and big fish.

Aluminum Frame. Lightweight and strong, the open-topped machined aluminum frame allows easy access to the spool for live-bait fishing.

Live Spindle. Greatly improves freespool, and provides incredible casting performance. The disengaging pinion was engineered for maximum performance while still maintaining the integrity and power associated with PENN Gearing.

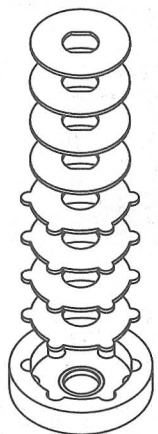
Six Stainless Steel Ball Bearings. Six high-quality, shielded, stainless steel ball bearings are incorporated into the U.S. Senator. Unlike gimmicky, unshielded bearings that clog with contaminants and salt buildup. PENN's high-grade stainless steel ball bearings were designed for performance in a marine environment. Just remember, high-grade Stainless is better than coated, non-shielded bearings.

Ergonomic Fighting Handle. The Soft-Grip material is designed for angler comfort. The oversized knob provides more leverage and cranking power for fish-fighting power.

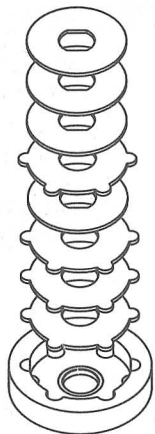
Aluminum Spool. Lightweight for easy free-spooling and casting, built strong in the Penn tradition, and anodized for protection.

Line Capacity Rings. Flanges of the spool are machined with 3 lines indicating approximate spool capacities of 1/3, 2/3 and full.

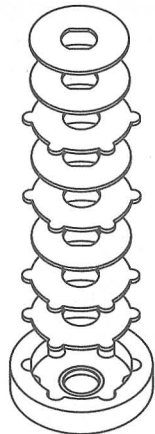
Hardware. Low profile rod clamp system. Reversible harness lugs. Reinforced side plates. Machined aluminum one-piece frame.



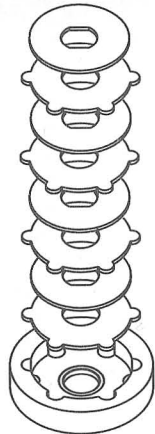
Light
Drag Range



Medium Light
Drag Range



Medium Heavy
Drag Range



Heavy
Drag Range

HT-100 Versa-Drag. By rearranging the sequence of keyed metal washers and eared friction washers, you can obtain a range of drag settings.

Left Side Bearing. Located on center of left side plate. Adjustable to eliminate excessive end play of spool by turning bearing cap clockwise. The Baja Special is properly adjusted when they leave the factory. If needed, adjust so that you barely feel side-to-side motion (.003" to .005"). Do not use as an anti-backlash device. An overly tight bearing cap can damage both left and right side bearings.

CARE AND LUBRICATION

Your PENN Reel is quality manufactured for maximum durability. Like any other precision-made piece of equipment, reasonable care will ensure peak performance and longevity.

After each fishing trip, the reel should be cleaned with a soap solution and fresh water, preferably warm, to remove any accumulated salt deposits.

When washing the reel, use caution not to use a driving force of water, since the water pressure will force salt deposits and/or sand into the reel. A very fine spray will help dissolve the salt on the external parts of the reel and rinse from the reel.

Dry excess moisture from the reel and then sparingly lubricate all exposed areas. A good practice is to spray a rag with a pressurized spray lubricant and wipe down the reels with the rag. Your reel should be stored in a cool, dry place. Do not store in a plastic bag, as condensation may develop.

Periodically examine your reel and tighten loose screws and fittings. Depending upon use, your reel should be overhauled at least once every season.

Frictional points in the reel should be frequently lubricated, and for best results use PENN lubricant. PENN's tubes of lube are the right formula, designed specifically for PENN Reels. Keep in mind, that a few drops of oil is usually sufficient

Major points for external lubrication include: Handle knob, eccentric lever, left and right side bearings, and clicker button.

OUT OF WARRANTY SERVICE

For non-warranty service to your PENN reel, simply return the reel with a brief note describing the service you want performed. Available on our website (www.pennreels.com) is a repair form that we suggest is completed and returned with each reel for more efficient processing. We strive to complete all repairs in a timely manner.

We will not initiate service until a means of payment is arranged. Accepted means of payment include only the following credit cards: Mastercard, Visa, American Express, and Discover. COD, personal checks, or cash are not accepted.