

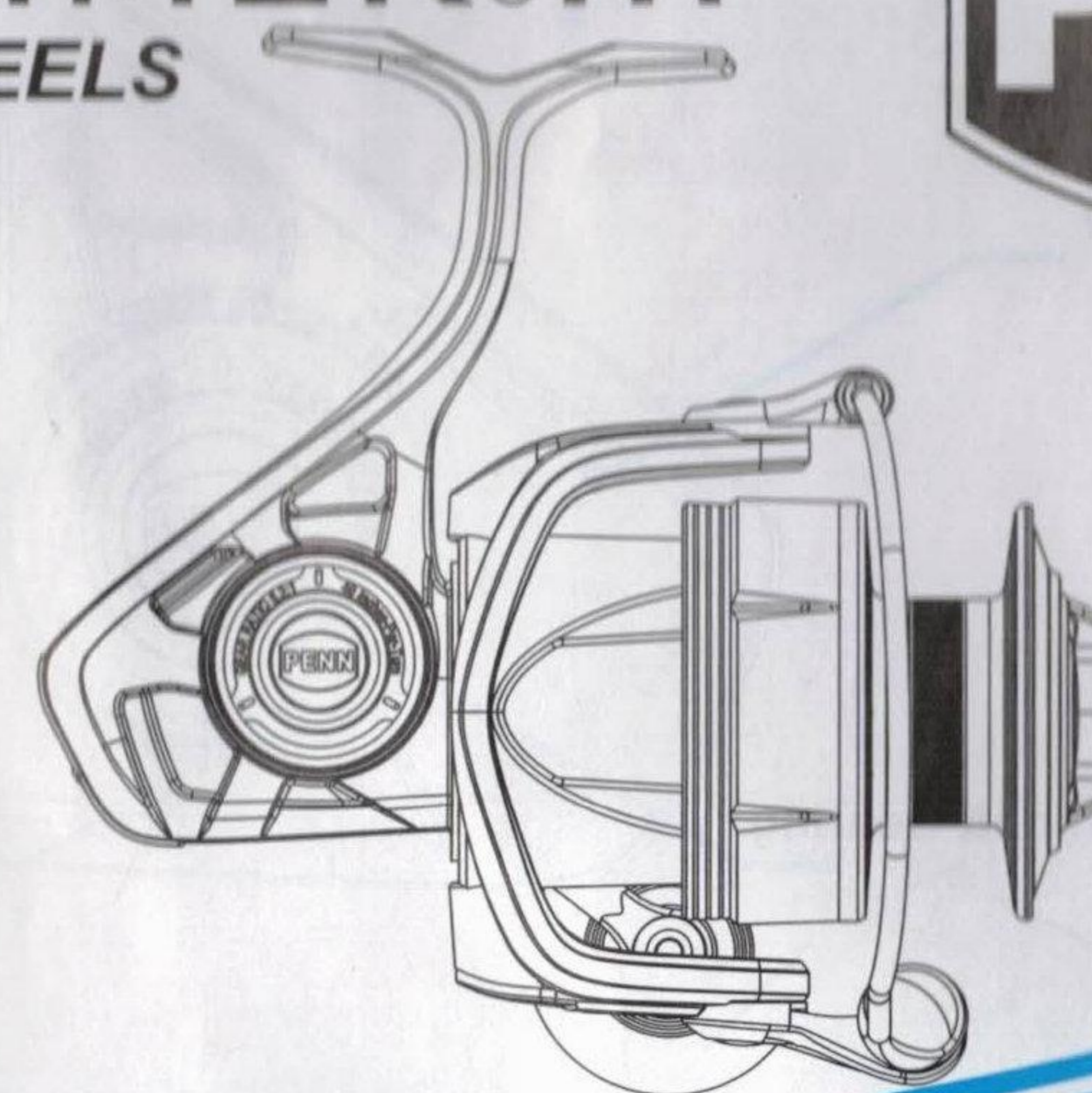
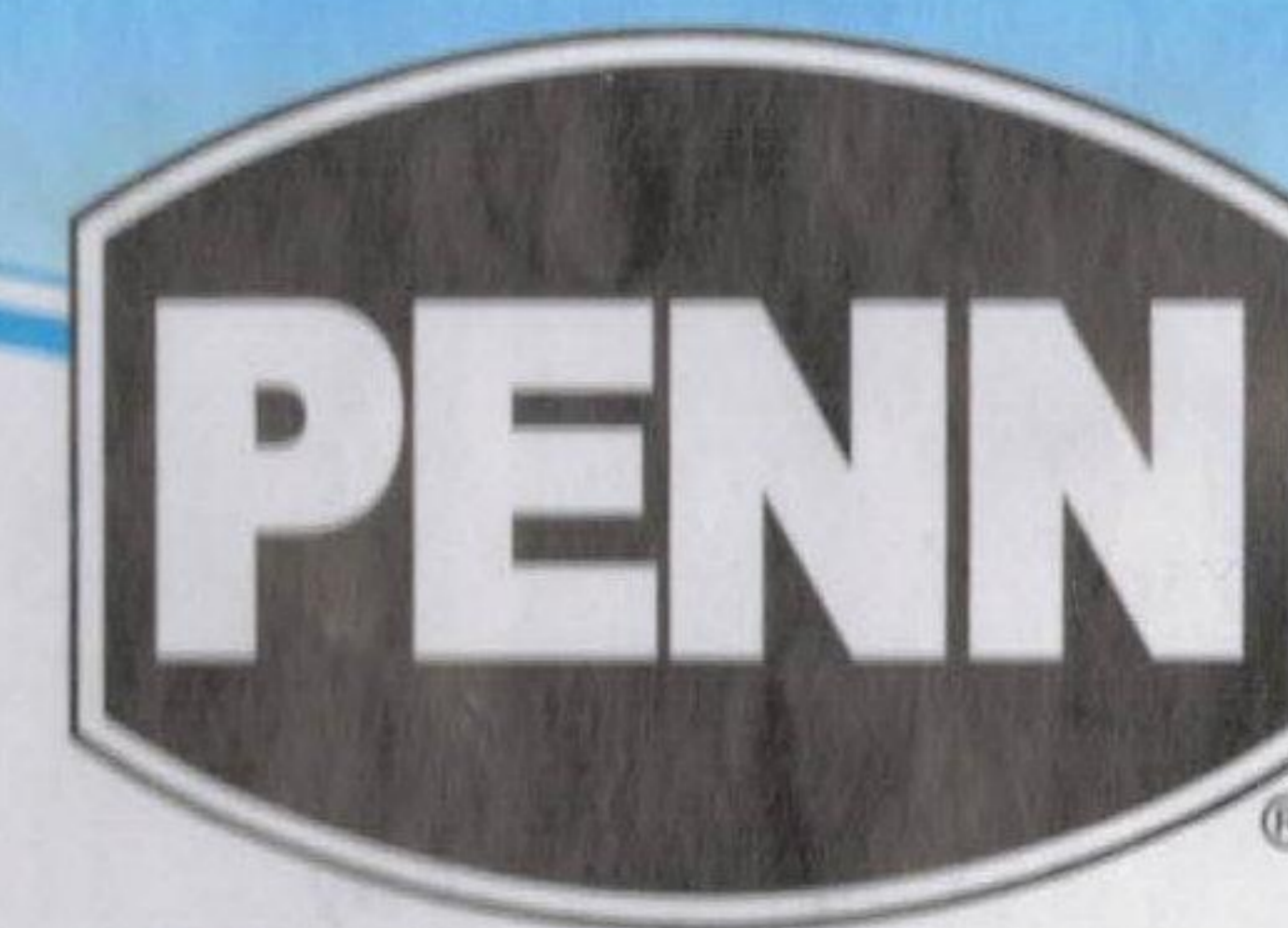
HOW TO ORDER PENN REEL PARTS

1. Call the PENN Parts Department at (800) 892-5444 between 8:30 am and 4:30 pm U.S. East Coast time to order your PENN Parts over the telephone. Accepted means of payment include only the following credit cards: Mastercard, Visa, American Express, and Discover. COD, personal checks, or cash are not accepted.
2. PENN Parts may also be ordered through PENN's local dealer network. Check your telephone directory for a PENN Dealer near you, or visit PENN's website at www.pennfishing.com to locate a nearby dealer.

PENN Fishing Tackle Mfg. Co. reserves the right to discontinue models and make changes in design specifications without notice. PENN's policy of ongoing research may necessitate design changes for Product performance improvement.

©Copyright 2016 Penn Fishing Tackle Mfg. Co.

SLAMMER® III SPINNING REELS



INSTRUCTION MANUAL

PENN FISHING TACKLE MFG. CO.

INTRODUCTION

Congratulations on the purchase of your new PENN Slammer III spinning reel. The PENN Slammer III utilizes a blend of proven and state of the art technology to provide smooth, efficient, and reliable performance. Each Slammer III is constructed to last with high quality components and PENN's 75-plus years of experience building reels.

Features and benefits found on the PENN Slammer III are highlighted throughout this manual. Also found in this manual are tips for basic maintenance and upkeep of your new fishing reel.

The entire company would like to thank you for selecting PENN as your reel of choice. We are confident that your reel will perform for many years.

WARRANTY AND NON-WARRANTY SERVICE

For non-warranty service to your PENN reel, simply return the reel with a brief note describing the service you want performed. Available on the PENN website (www.pennfishing.com) is a repair form that we suggest is completed and returned with each reel for more efficient processing. PENN strives to complete all repairs in a timely manner.

PENN will not initiate service until a means of payment is arranged. Accepted means of payment include only the following credit cards: Mastercard, Visa, American Express, and Discover. COD, personal checks, or cash are not accepted.

Please visit our website www.pennfishing.com for warranty information

CARE AND LUBRICATION

Your PENN Reel is quality manufactured for maximum durability. Like any other precision-made piece of equipment, reasonable care will ensure peak performance and longevity.

After each fishing trip, the reel should be cleaned with a soap solution and fresh water, preferably warm, to remove any accumulated salt deposits.

When washing the reel, use caution not to use a driving force of water, since the water pressure will force salt deposits and/or sand into the reel. A very fine spray will help dissolve the salt on the external parts of the reel and rinse from the reel.

Dry excess moisture from the reel and then sparingly lubricate all exposed areas. A good practice is to spray a rag with PENN Reel Cleaner and wipe down the reel with the rag. Your reel should be stored in a cool, dry place. Do not store in a plastic bag, as condensation may develop.

Periodically examine your reel and tighten loose screws and fittings. Depending upon use, your reel should be overhauled at least once every season.

Frictional points in the reel should be frequently lubricated, and for best results use PENN Grease and Oil. PENN's tubes of lube are the right formula, designed specifically for PENN Reels. Keep in mind, that a few drops of oil is usually sufficient

Major points for external lubrication include: handle knob, spool shaft and line roller bearings. It is recommended to open the housing and add a small amount of PENN Reel Grease to the main gear and oscillation system. Care should be taken not to damage the seals during maintenance and re-assembly



Full Metal Body, sideplate, and rotor – machined to exacting tolerances and anodized for corrosion resistance.



CNC Gear™ Technology – our strongest and smoothest drive train yet, the Slammer III uses a fully machined Brass gear system which includes the drive, pinion, and oscillation gears.



IPX6 Sealed body and spool design - the Ingress Protection rating X6 means the Slammer III is sealed from heavy seas and spray, protecting the key internals from saltwater intrusion.



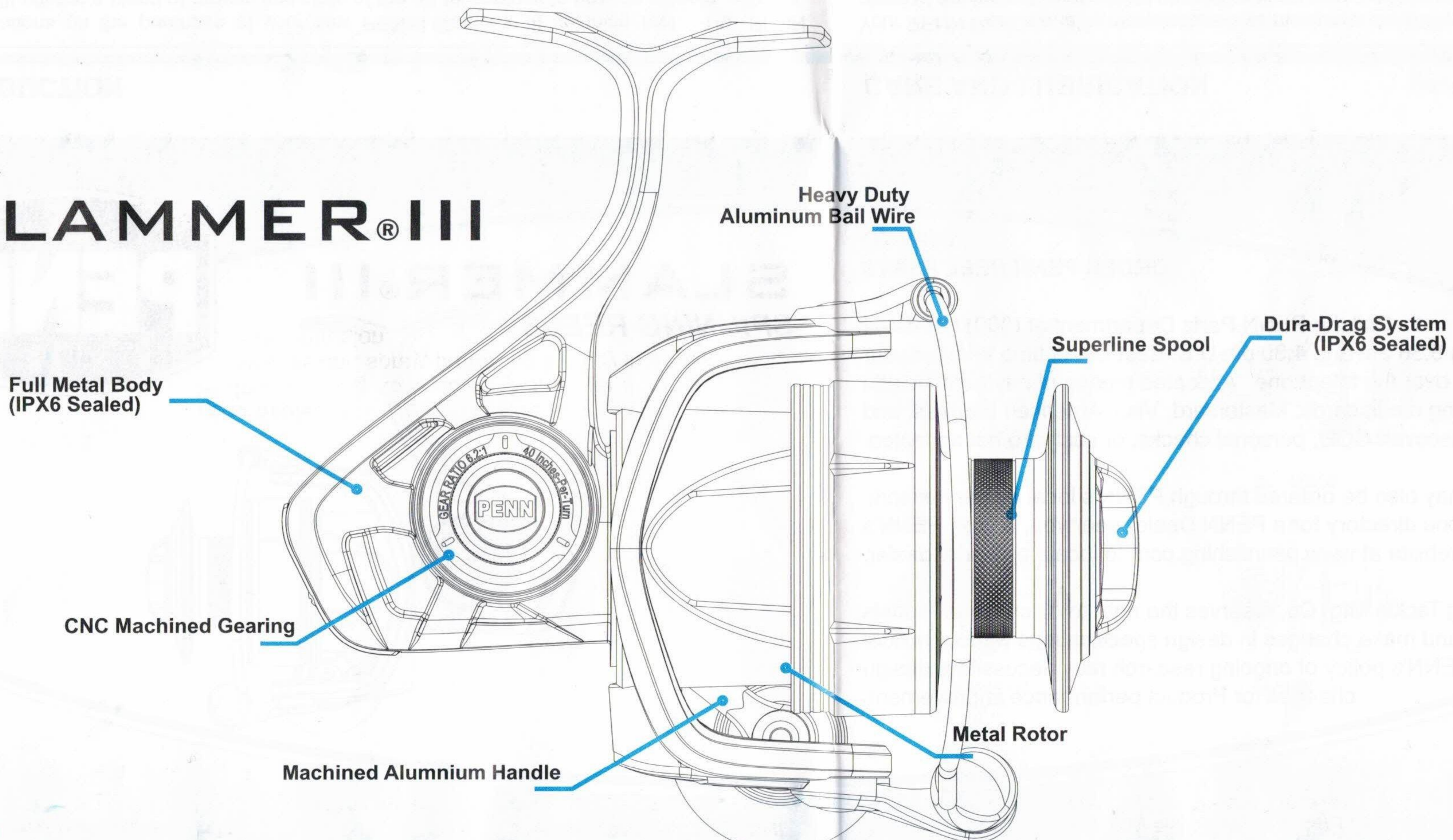
Dura-Drag™ System – our Dura-Drag material is our proprietary carbon fiber with a phenolic coating which binds the fibers together to create the smoothest most durable drag material we've ever used.



6 +1 Bearing System – high quality, sealed, stainless steel ball bearings and an Instant Anti-Reverse bearing provide smooth retrieves.

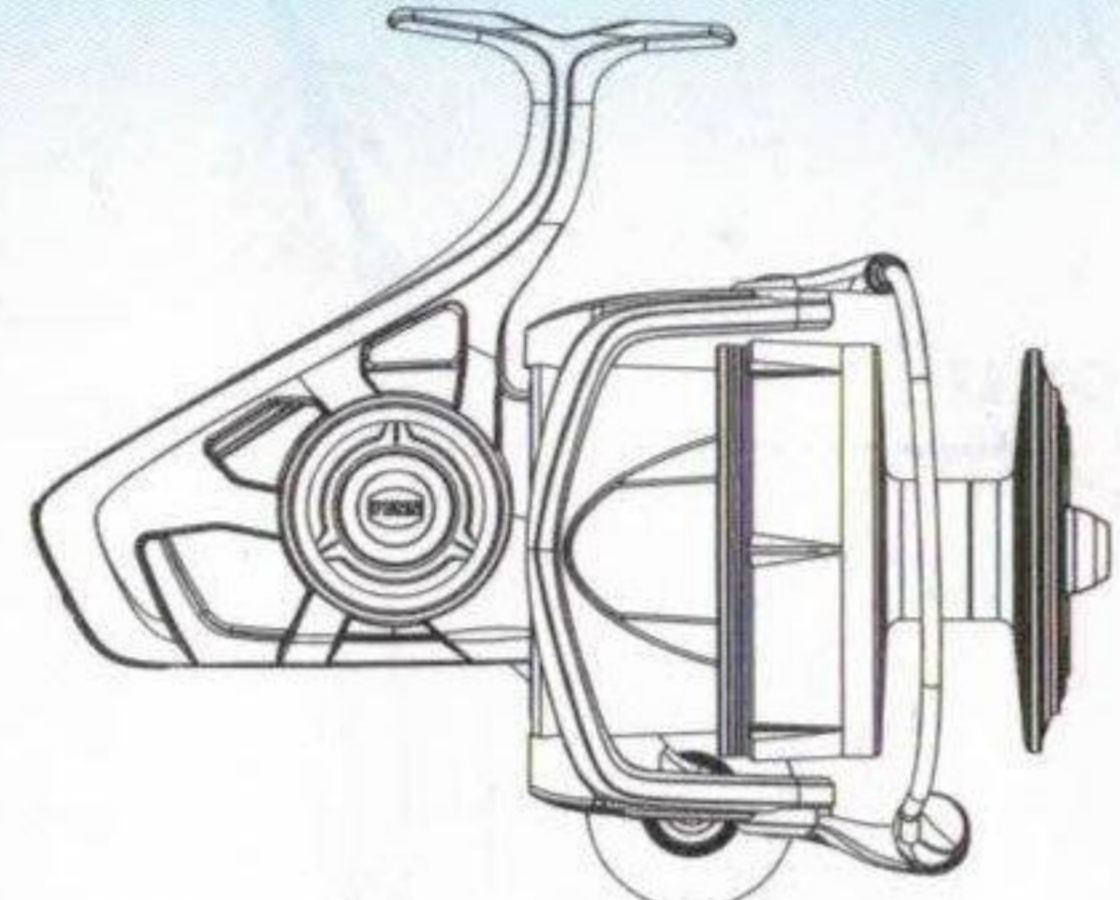
Friction Trip Ramp – creates resistance when the bail is open so that the rotor cannot rotate during the cast and close the bail wire....preventing lost lures when casting aggressively.

SLAMMER® III

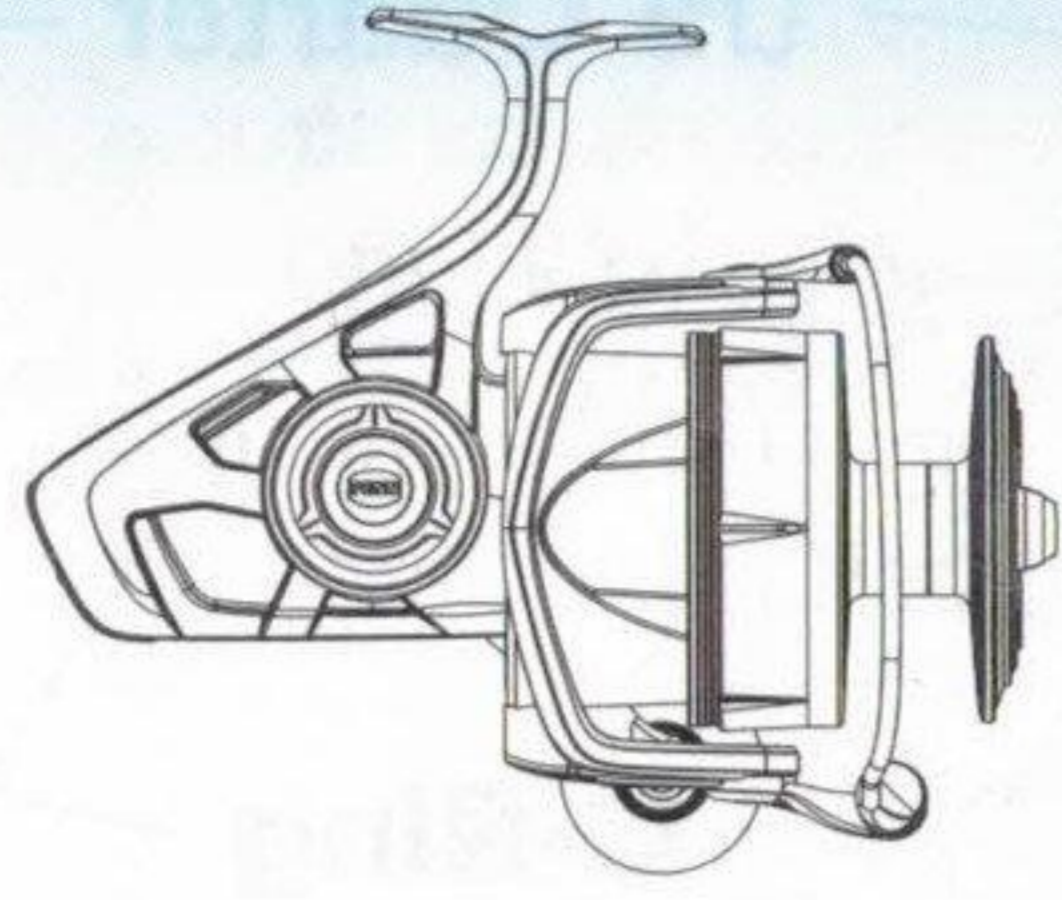


MODELS

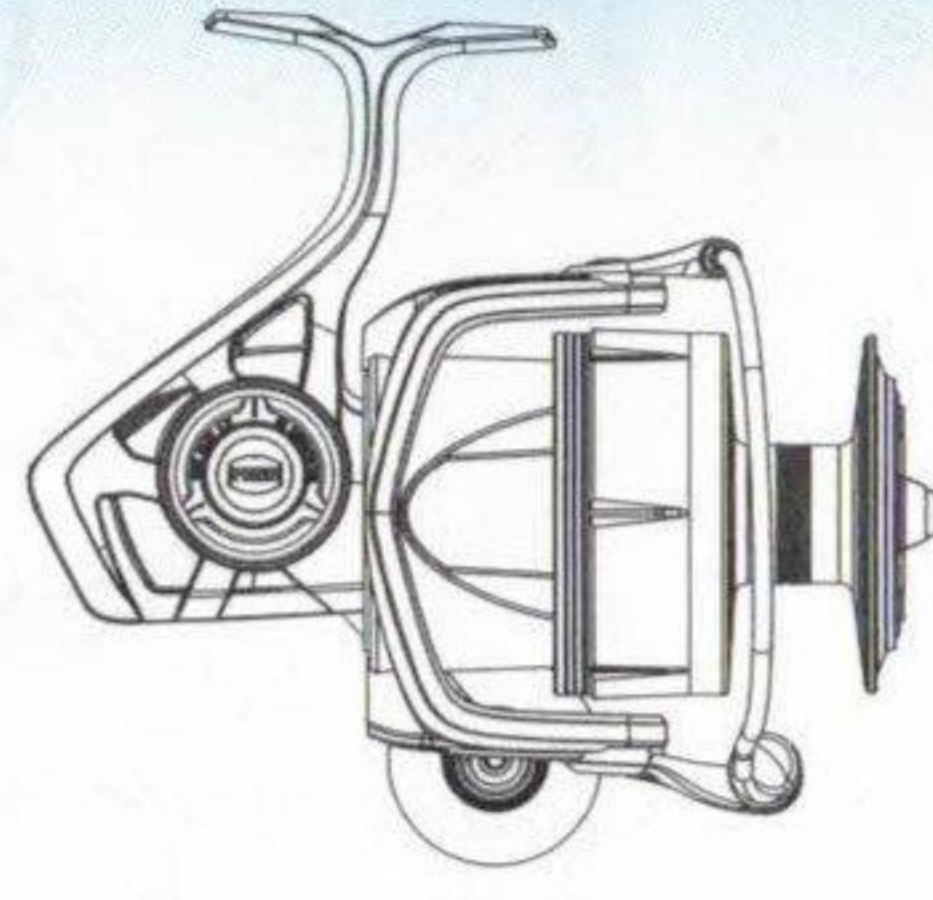
SLAIII10500



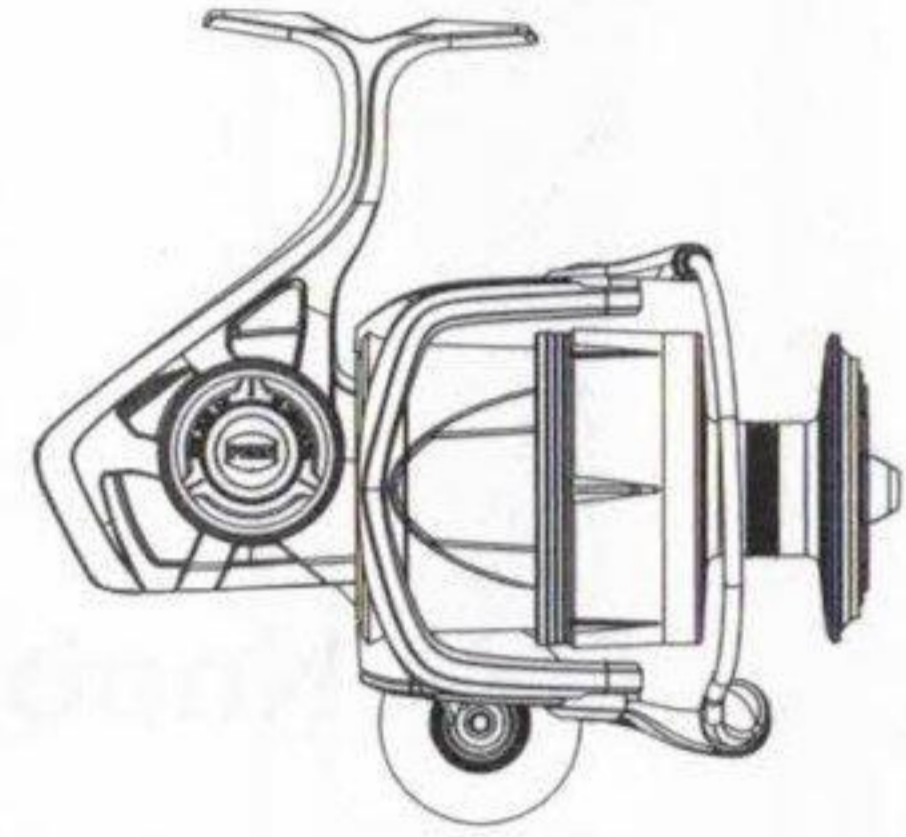
SLAIII9500



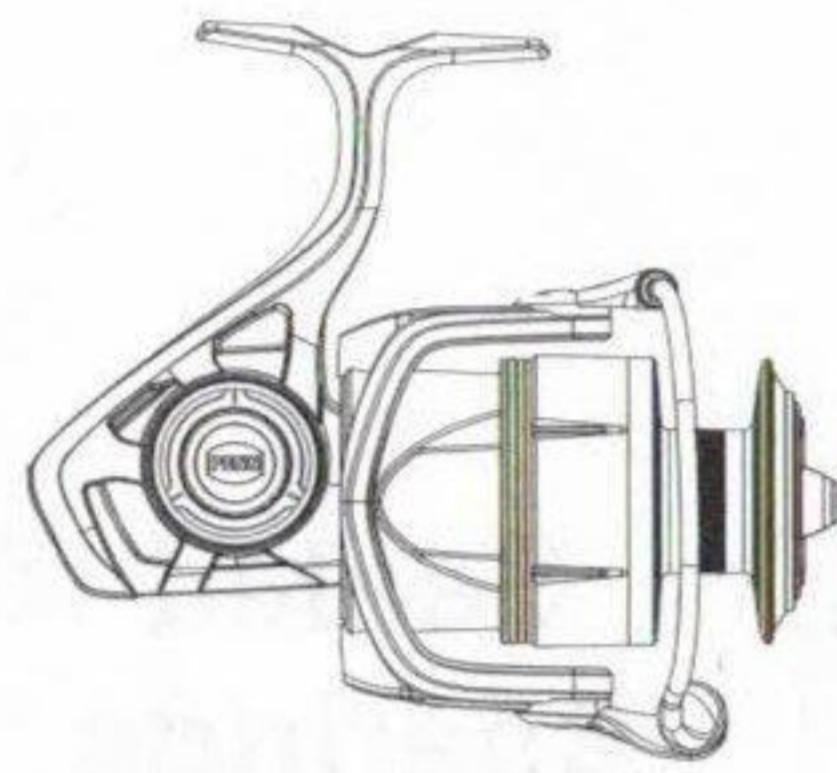
SLAIII8500



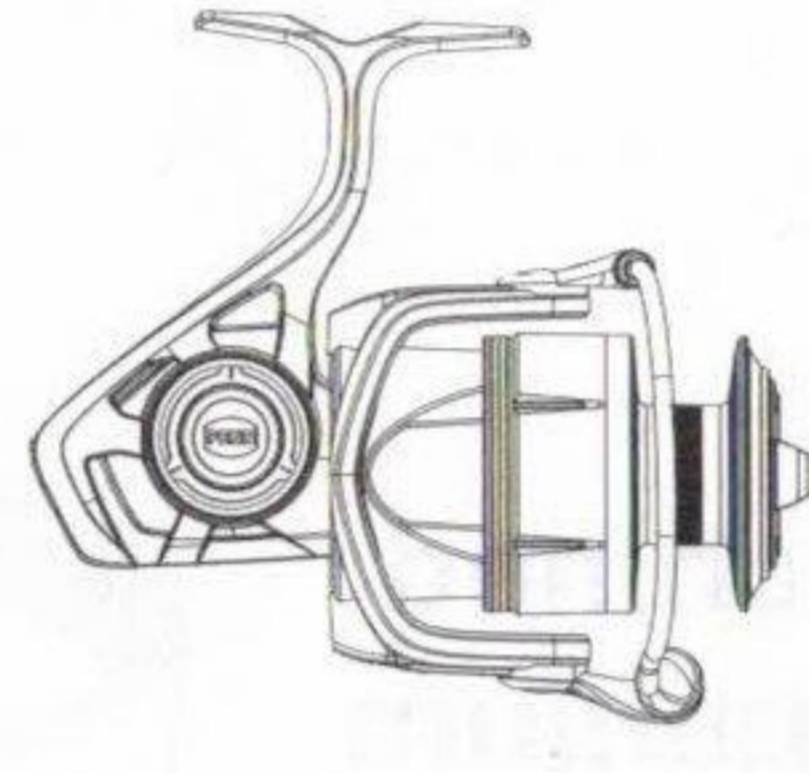
SLAIII7500



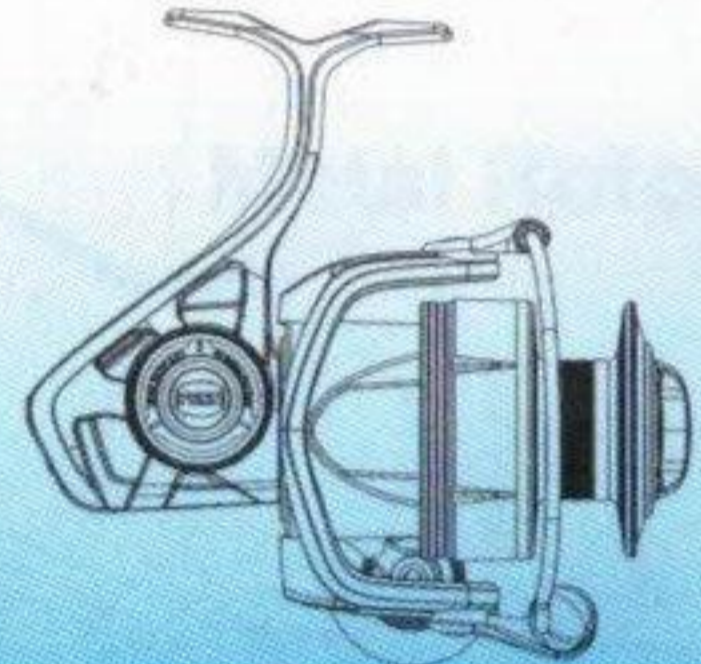
SLAIII6500



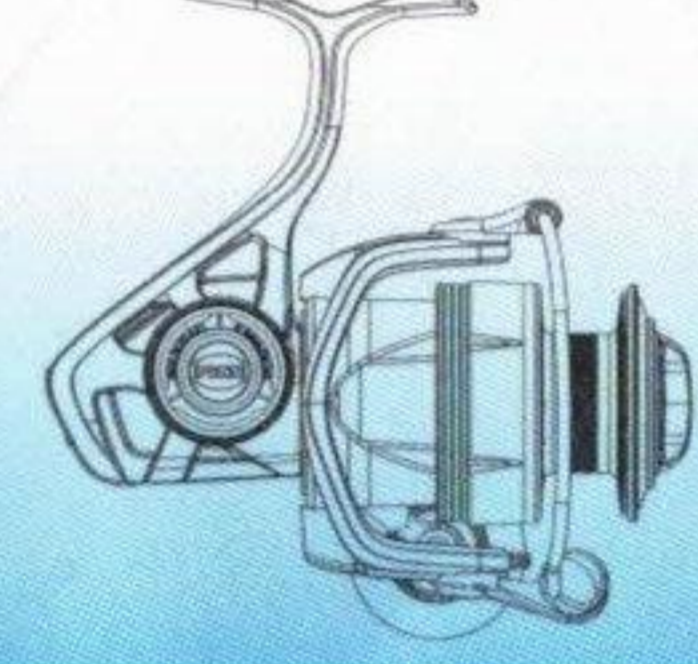
SLAIII5500



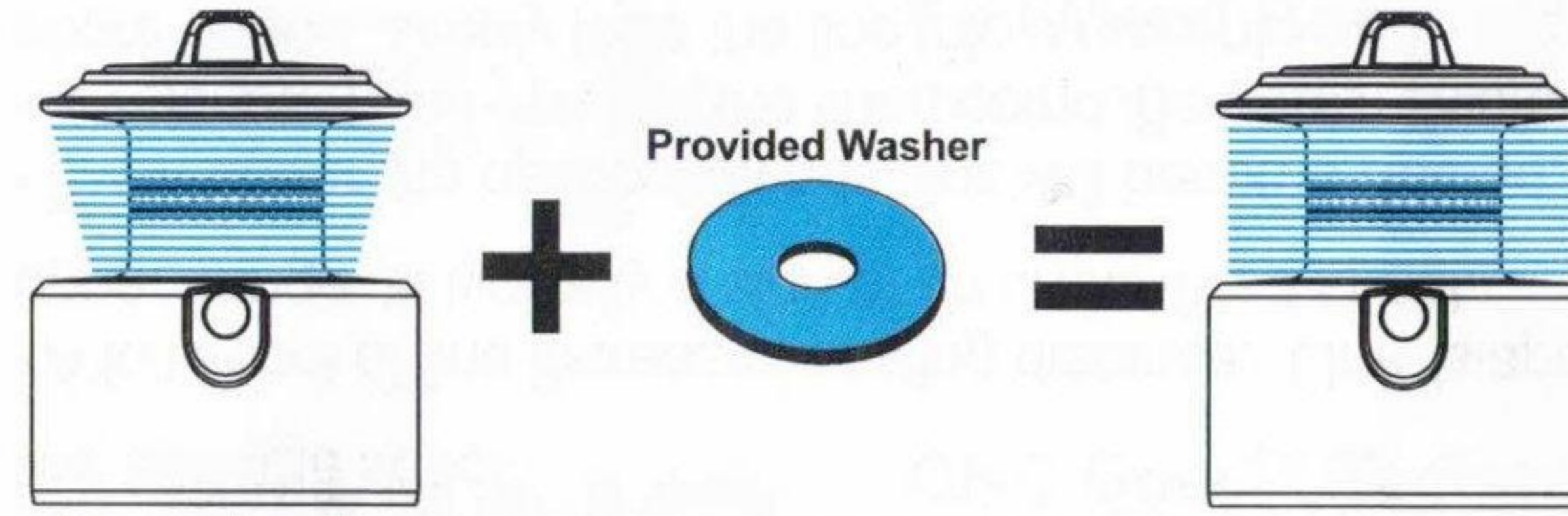
SLAIII4500



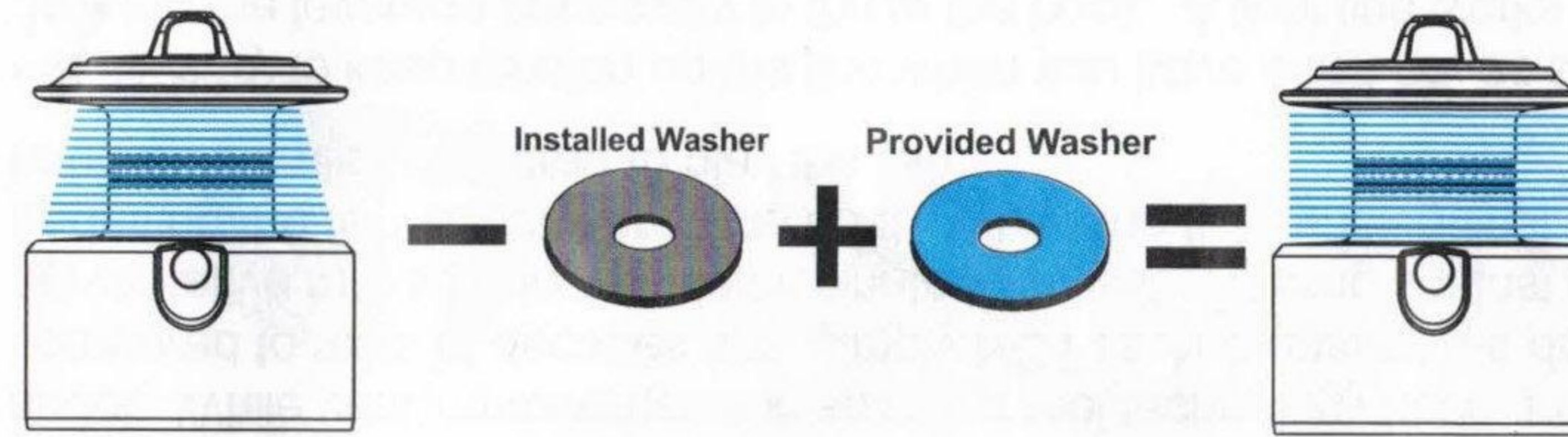
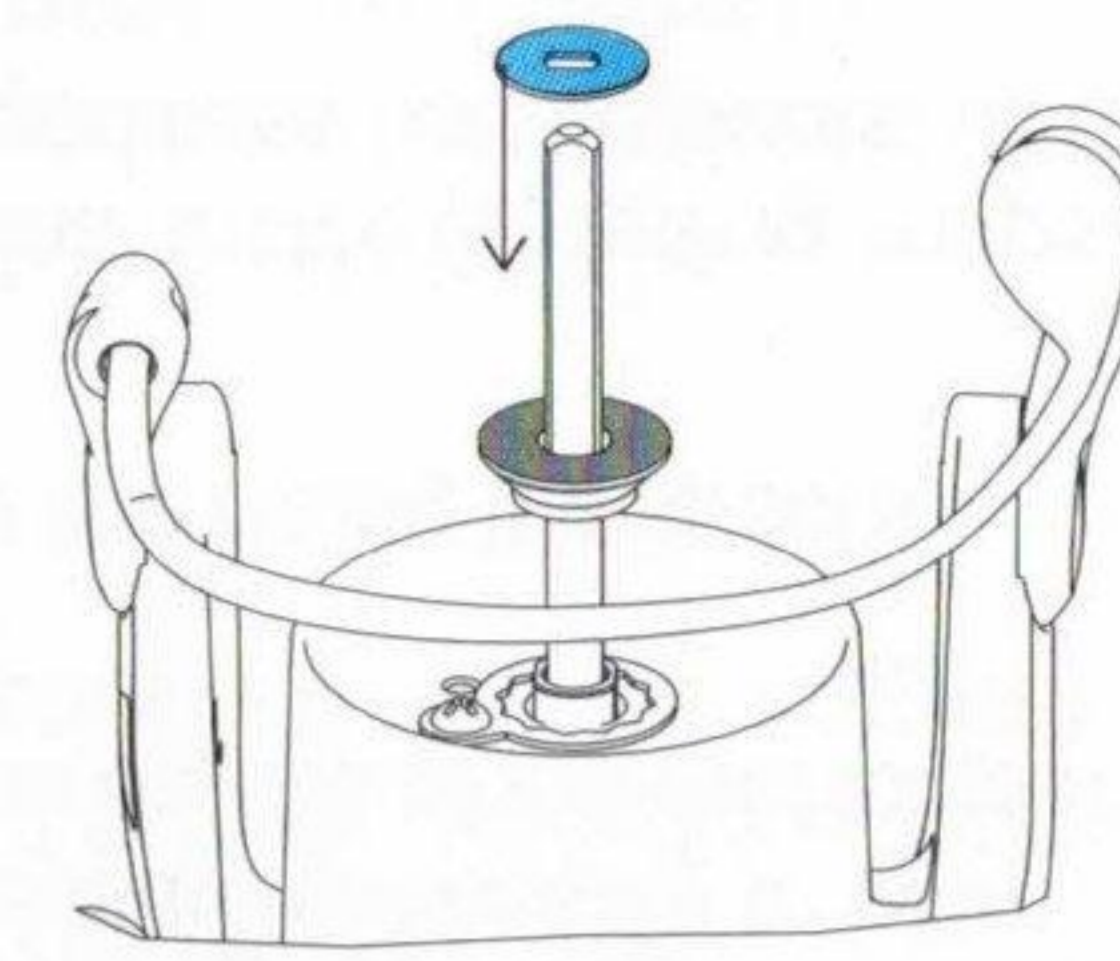
SLAIII3500



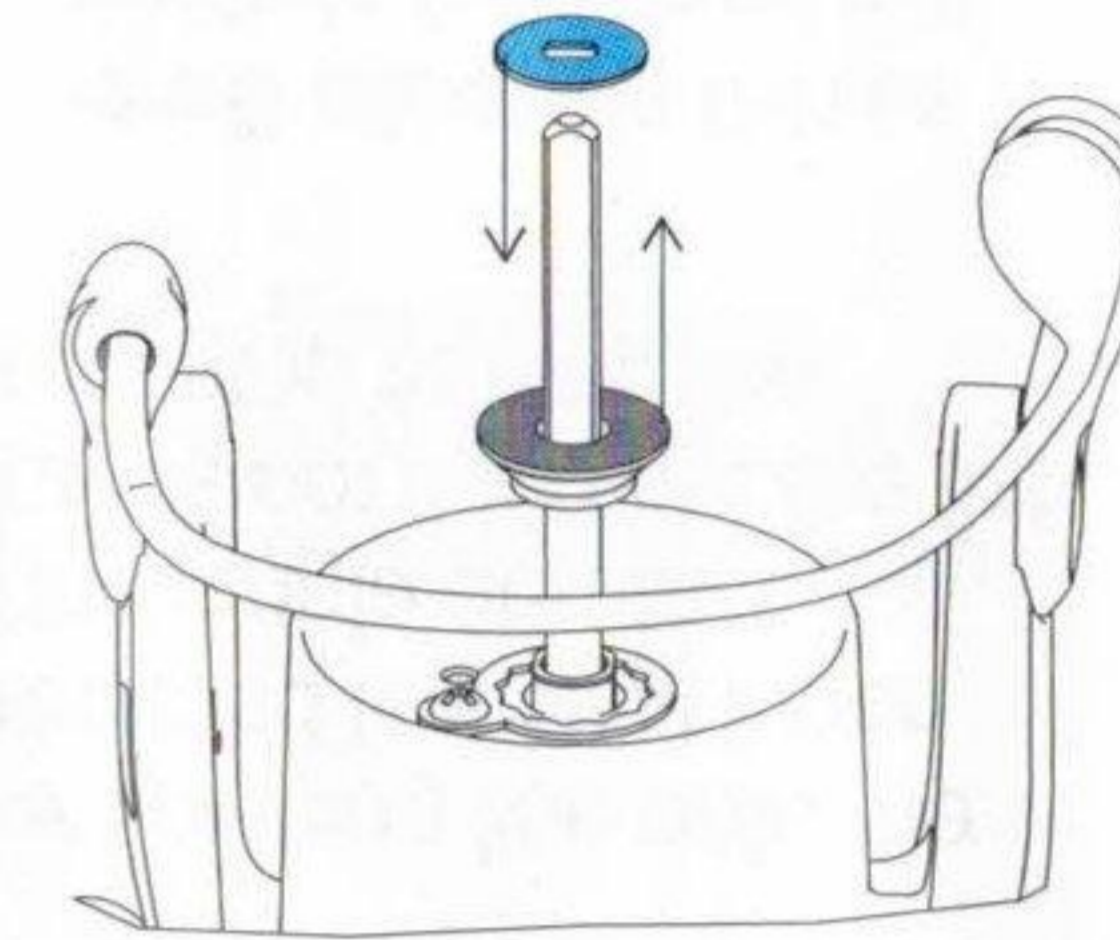
HOW TO ADJUST THE LINE LAY



Your line lay A thicker washer stack will place more line to the rear of the spool. If your line skewed towards the top of the spool. Add the thin washer included with the reel.



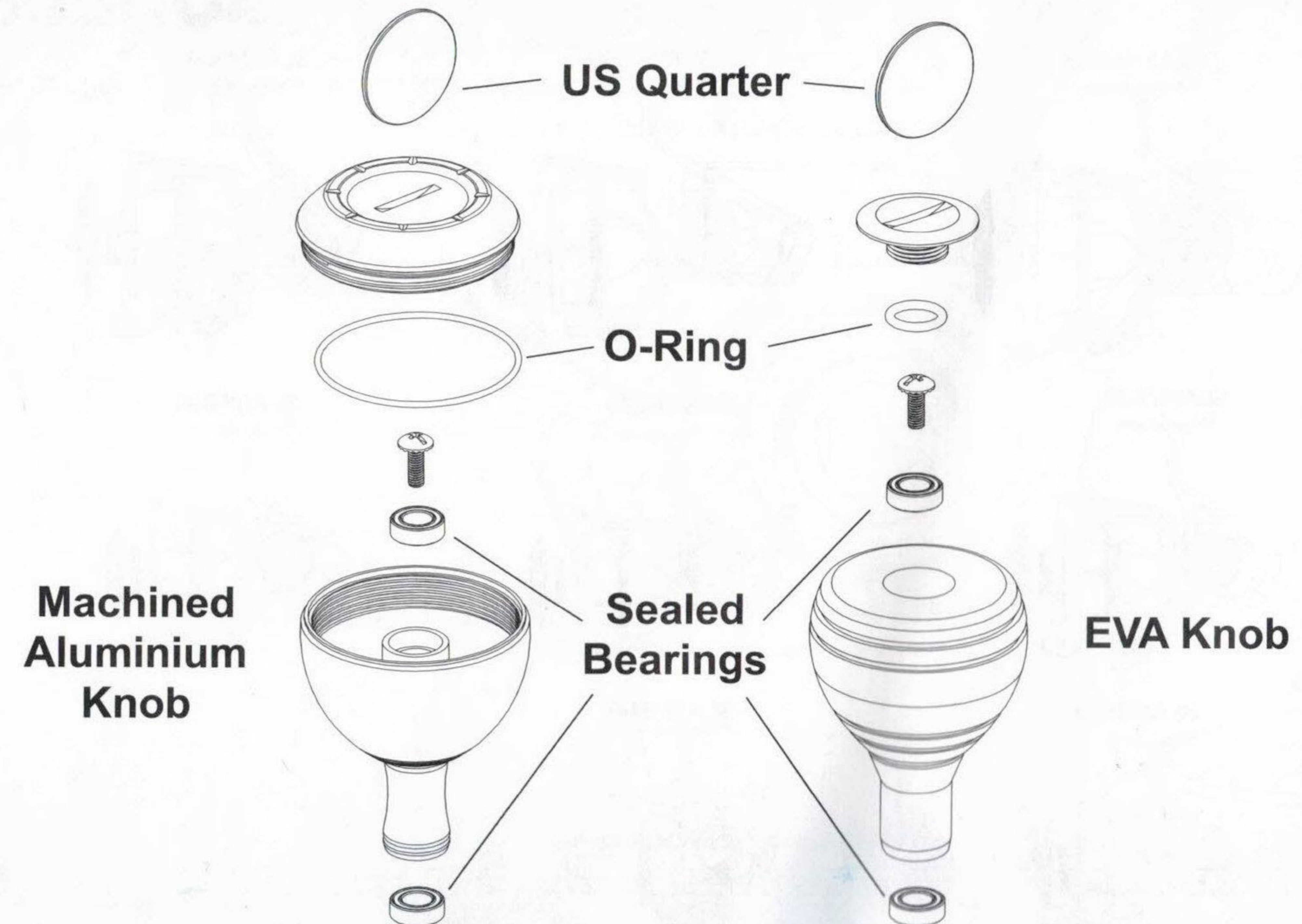
Your line lay A thinner washer stack will place more line to the front of the spool. If your line is skewed towards the bottom, remove the washer that is already installed and replace with the washer included with the reel.



SPINNING & FISHING TIPS

- While fishing and retrieving lures, it is best to keep your rod in an upward position. Your rod will absorb the sudden power of a strike or snag and you will be ready to set the hook when a fish strikes.
- Line twist is a persistent problem inherent in spinning reels due to the rotor spinning line onto the spool. While vast improvements in spinning reel technology have greatly reduced line twist when compared to reels of decades ago, simply NOT reeling against the drag is the single greatest preventative measure to reduce/eliminate line twist. Reeling against the drag is not tiring out the fish, or getting the fish any closer to the boat. When the fish runs against the drag, stop turning the handle, and allow the drag to play the fish.
- Always try to keep tension on the line when you have a fish on, as slack line will allow the fish to develop the leverage necessary to throw the hook. A tight line works to the angler's favor, and will assist landing most fish.
- When playing a fish, allow the rod to work for you. As the fish is running against the drag, a loaded rod increases the force being applied to the fish, thereby increasing the pressure necessary to swim against the drag. As the fish tires, the angler can pump the rod and turn the handle of the reel to gain line onto the spool.
- A full spool of line increases casting distance. Line "slapping", caused by line hitting the spool's upper flange, is typically a sign of an under-filled spool.
- Even under the best conditions, line will become twisted. Cut off all terminal tackle (including snaps, swivels, etc.) and troll just the line behind the boat. This will relax the line and take out the twists. If shore bound, simply feed the line into a current.
- The "working" end of your line (the first 10 feet or so) should be cut back after each fishing trip to ensure there are no nicks, abrasions, etc., in the line.

HOW TO CHANGE THE HANDLE KNOB





Mystic Reel Parts is a
Penn Warranty and
Repair Center

(A department of Scott's Bait & Tackle)

As specializing in Penn reel parts,
we carry Penn Fishing Products and
reel repair supplies, as well as some
custom items and tackle.