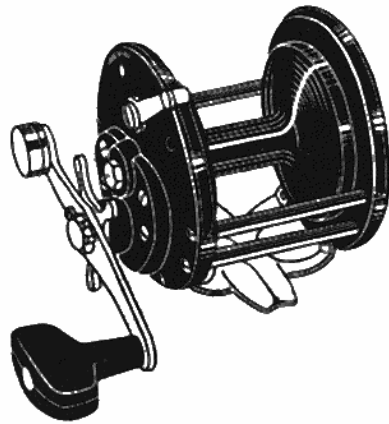




PENN®

Seaboy 185,190



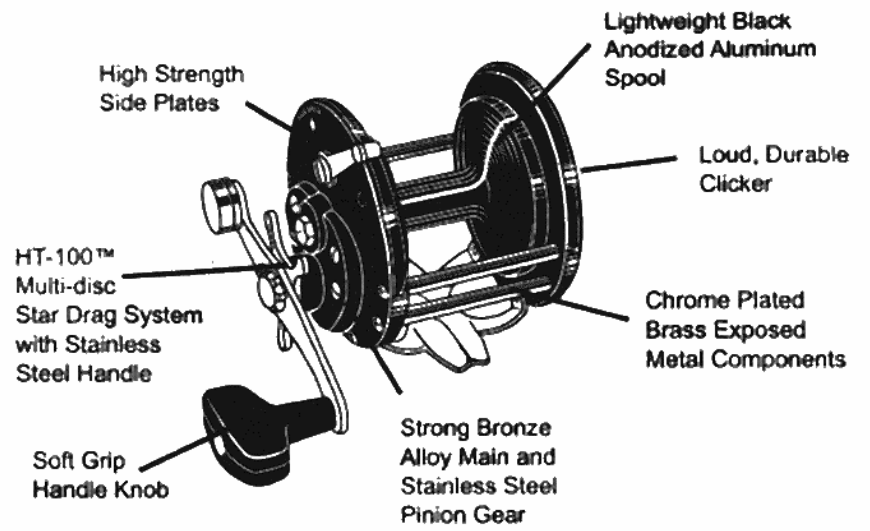
PARTS LIST AND INSTRUCTIONS

PENN FISHING TACKLE MFG. CO.
WWW.PENNREELS.COM

PENN FISHING TACKLE MFG. CO.
Factory Service Department
3028 West Hunting Park Avenue
PHILADELPHIA, PA 19132-1121, U.S.A.
Phone: (215) 229-9415 Fax: (215) 223-3017
WWW.PENNREELS.COM



SEABOY® FEATURES



These reels can do it all-and do it well. It doesn't matter if you're drifting, chumming, trolling, or bottom fishing, Penn's seaboy reels are up to the challenge. These are tough reels built with features like HT-100 multi-disc star drag system, powerful gear ratio and corrosion resistant metal parts.

SEABOY® SERIES SPECIFICATIONS

MODEL	LINE CAPACITY YDS/LB METER/MM	GEAR RATIO	WEIGHT OZ GRAMS
185	400/20 365/0.45	3.1-1	15 425
190	350/30 320/0.55	3.1-1	16 450

HOW TO ORDER PENN REEL PARTS

1. By mail, please list model for which you are buying parts and order parts by name and number.
2. Include your legible, printed name, address and daytime telephone number with your order.
3. Penn will then send you an invoice, showing part prices plus shipping and handling charges.
4. There is a minimum part order of \$2.00 and a shipping and handling charge of \$3.00 on a minimum order.
5. Upon receipt of your payment (check or money order only), your order will be shipped via parcel post or U.P.S.
6. For faster service, you may also use your major credit card to mail in parts orders. Specify card, account number and expiration date when ordering parts. Be sure to include information requested in Steps 1 & 2.
7. You may also use your major credit card to place parts orders over the telephone. Call the Penn Parts Department at (215) 229-9415 between 8:30 am and 4:30 pm U.S. East Coast time.
8. For fastest service, see your local Penn dealer. Check telephone directory or Penn web site (www.pennreels.com) for dealer nearest you.

407-185 rev2 9/02/03

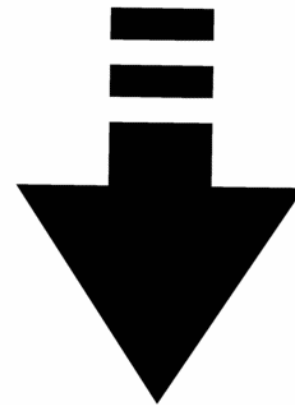
www.PENNparts.com



Scott's Bait & Tackle

Penn Parts Dept.
945 Radio Road
Tuckerton NJ 08087
(609) 296-1300

No Minimum Order!
Plus, Parts in stock
that Penn doesn't
carry anymore.



RECOMMENDATION FROM PENNPARTS.COM:

Use this "owners manual" in conjunction with manual 89B, since this one is very sketchy - 89B is a good manual for standard conventional Penn reels.