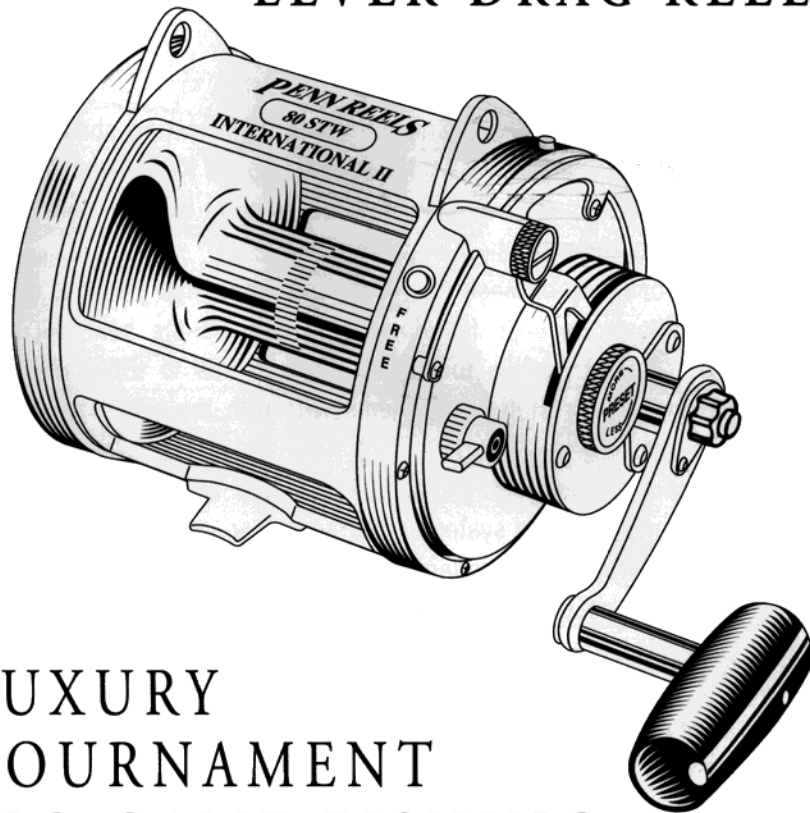




PENN®

PENN LIMITED WARRANTY

INTERNATIONAL® LEVER DRAG REELS



LUXURY
TOURNAMENT
BIG GAME FISHING
REELS

INSTRUCTION AND PARTS MANUAL
www.pennreels.com

Penn Fishing Tackle Mfg. Co. warrants its Products to be free from defects in materials and workmanship for a period of one year from the date of purchase. This warranty does not cover damage or malfunctions caused by accident, abuse or normal expected wear. If your Penn Product has a defect within the terms of the warranty, you should return it to us at one of the Penn Warranty Centers indicated below. All shipping and insurance costs and transportation arrangements will be borne by you and are your responsibility. We will repair or replace the Product, at our option, without further cost to you, (including free return transportation and insurance). If however, the repair is not covered by the provisions of this warranty, your Penn Product will be repaired and returned to you a reasonable charge for labor, parts and return transportation and insurance.

ALL WARRANTIES WHICH MAY BE IMPLIED BY OPERATION OF LAW, INCLUDING BUT NOT LIMITED TO WARRANTIES OF MERCHANTABILITY AND WARRANTIES OF FITNESS FOR ANY PARTICULAR PURPOSE, SHALL BE LIMITED TO ONE YEAR FROM THE DATE OF PURCHASE. IN NO EVENT SHALL PENN FISHING TACKLE MFG. CO. BE LIABLE FOR INCIDENTAL OR CONSEQUENTIAL DAMAGES FOR BREACH OF THIS WARRANTY OR ANY OTHER WARRANTY WHICH MAY BE IMPLIED BY LAW.

SOME STATES DO NOT ALLOW LIMITATIONS ON HOW LONG AN IMPLIED WARRANTY LASTS, AND SOME STATES DO NOT ALLOW THE EXCLUSION OF INCIDENTAL OR CONSEQUENTIAL DAMAGES, SO THE ABOVE LIMITATION AND/OR EXCLUSION MAY NOT APPLY TO YOU.

THIS WARRANTY GIVES YOU SPECIFIC LEGAL RIGHTS, AND YOU MAY ALSO HAVE OTHER RIGHTS WHICH VARY FROM STATE TO STATE.

Penn Fishing Tackle Mfg. Co. reserves the right to discontinue models and make changes in design specifications without notice. Penn's policy of ongoing research may necessitate design changes for Product performance improvement.

Copyright 2002 Penn Fishing Tackle Mfg. Co.

Made in the U.S.A.

Penn Fishing Tackle Mfg. Co.,
3028 West Hunting Park Avenue,
Philadelphia, PA 19132-1121, U.S.A.

Telephone: (215) 229-9415 FAX: (215) 223-3017

406-001 1.25.02 Rev.01



It began in the mid-1960's. Gleaming gold reels started showing up on offshore sportfishers everywhere – from Key West to the Kona Coast.

The reels were Penn Internationals®. And as soon as they were put into action, they began to rewrite the IGFA record book.

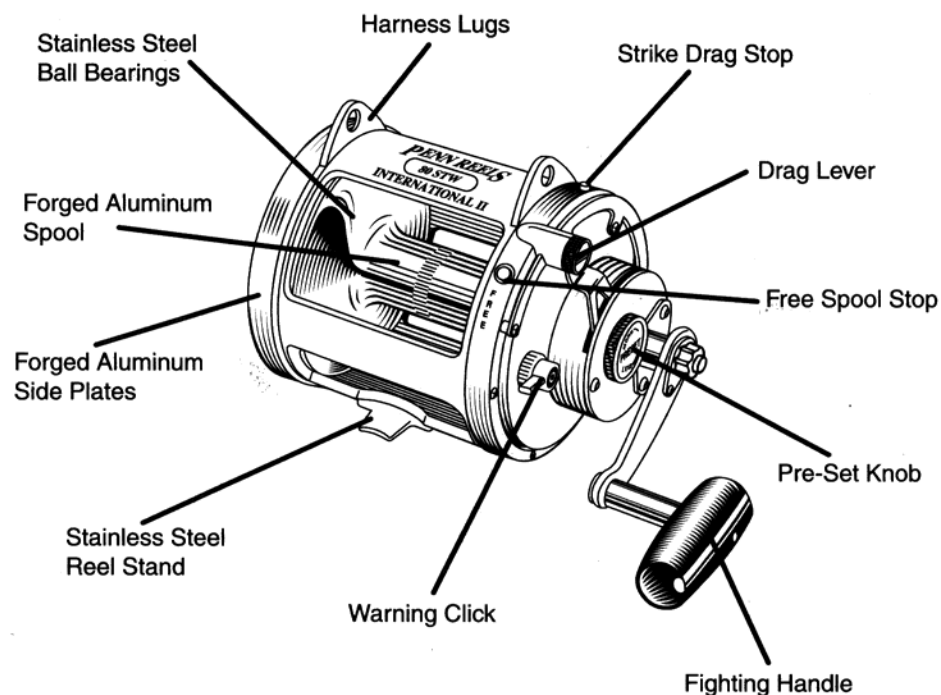
Today, the popularity of these American-made reels has grown to amazing proportions – simply because fishermen who demand the best will accept nothing less. From Mauritius to Morea, Virgin Gorda to the Gordo Bank, anglers who know their stuff equip themselves with the right stuff – Penn International® reels.

At the heart of the gold anodized, machined aluminum International® International frame is a drag system unlike any other – an infinitely adjustable lever drag system that has conquered more big fish than any other. Despite repeated attempts, no one has ever been able to duplicate its silky smooth stopping power.

Turning the forged, solid aluminum spool are incredibly powerful, tempered stainless steel gears that have yet to fail in 35 years. Penn backs these gears up with an exclusive double-dog design on most models that will stand up to the most brutal strike and hold fast without a shudder.

And to keep everything turning with the precision of a fine watch, all Penn International® reels feature sealed stainless steel ball bearings.

Finally, with all engineering talk aside, there is one International® feature that is perhaps more popular than any other It's that sense of distinction. A feeling of confidence in the knowledge that wherever you go to challenge the world's greatest gamefish, you carry with you the mark of excellence in offshore angling – a Penn International®.



INTERNATIONAL® SPECIFICATIONS

MODEL	LINE CAPACITY (YDS/LBS) (METERS/MM)	GEAR RATIO	WEIGHT (OUNCES) (GRAMS)	SPOOL WIDTH (INCHES)	PLATE DIAMETER (INCHES)
80TW	950/80 870/0.90	2.7-1	109 3090	4"	5 1/2"
50TW	850/50 780/0.70	3-1	67.5 1910	3 1/4"	4 1/2"
50T	550/50 500/0.70	3-1	66 1870	2 7/16"	4 1/2"
30TW	900/30 825/0.55	3.8-1	59 1670	3 1/8"	4"
30T	700/30 640/0.55	3.5-1	56 1590	2 1/4"	4"
20T	750/20 685/0.45	3.5-1	50 1420	1 5/8"	4"
12LT	850/12 780/0.35	4-1	28 790	2 1/8"	3 1/4"



Even though they are precision instruments, Penn's International® reels are strong and relatively simple to operate. Take a few moments to familiarize yourself with the operating controls and quality features listed below before using your International® reel.

DRAG LEVER

Provides 120 degrees of drag adjustment, from free, with no drag pressure, to strike, where you strike and fight the fish, to full, which provides an extra few pounds of drag pressure when you need it. "Free" and "Strike" buttons allow quick, easy reference along the quadrant.

PRE-SET KNOB

Turn clockwise for more drag pressure,. Counter-clockwise for less drag pressure. Always turn pre-set knob with drag lever in free position.

PENN FIGHTING HANDLE

On most models, handle knob is designed to automatically return to a vertical position, the best position for fast, easy gripping. This feature really comes in handy for blind strikes and when the fishing action gets hot and heavy. You always know right where the handle will be, so you won't lose precious seconds fumbling around for the handle.

WARNING CLICK

When turned on, acts as an alarm when line is pulled from the reel. The click also provides enough tension on the spool to keep it from revolving too easily or overrunning. Remember, use the warning click only as a signal. Constant fishing with the click on will lead to premature wear of the click mechanism. To turn warning click on, turn button clockwise (with button facing you) and it will snap into the "On" position. To turn click off, turn counter-clockwise until it snaps into the off position.

The 80TW features an adjustable warning click to suit your style of fishing. If you need a louder click with more tension (as in trolling), turn knurled knob underneath the click button clockwise. Heavier settings will let you hear the click better and will minimize any overruns.

When you need a softer click with less tension (as in "chunking" or drifting), turn knurled knob counter-clockwise. Lighter settings will minimize chances of fish feeling resistance after they pick up the bait.

The warning click button still operates in its normal on/off fashion, as detailed above.

The 12LT features a sliding click system on the left side plate. Push down to engage, pull up to disengage click.

FORGED ALUMINUM SPOOL AND SIDE PLATES

Penn's International® spools are forged, machined and gold anodized for the utmost strength and resistance to corrosion. Side plates are also forged and gold anodized, for superior strength and durability.

The International® 80TW features a front rod brace assembly for extra rigidity and support. The front rod brace is essential when "pumping" on a big fish to gain line.



ONE PIECE FRAME

An extruded aluminum tube is first cut, machined and finally gold anodized to a durable, lustrous sheen, not only for good looks, but also for protection against abusive saltwater elements. One piece tubular frame construction is Penn's ultimate answer to any question of the frame twisting under the pressure and power of a thrashing, angry, half-ton tuna or marlin.

STAINLESS STEEL GEARS

International® reels feature specially tempered (hardened) stainless steel gears. Gears are the guts of any fishing reel, but especially so with lever drag reels. Penn's one piece pinion and main gears in the International® reels are likely to never fail.

STAINLESS STEEL REEL STAND

A stainless steel reel stand attached right into the frame allows the rod clamp system to become an integral part of the reel stand and frame. It all adds up to the surest, strongest and most secure connection of reel to rod.

STAINLESS STEEL BALL BEARINGS

All International®II models feature four sealed stainless steel ball bearings of the highest quality for smooth free spooling and retrieves.

INTERNATIONAL® DRAG

A strong, dependable drag system ranks right up there along with capacity when considering a big game lever drag reel. Penn's International drag system features Penn's exclusive HT-100™ drag material, proven as the smoothest, most durable, most contaminant-resistant drag material yet. Even soaked in salt water, HT100™ performs flawlessly and holds a wide range of settings. This is the same material used to brake and stop supersonic jet aircraft.

The International® 12LT, 20T, 30T, 30TW, 50T and 50TW all feature a powerful bonded HT-100™ disc drag system. The International® 80TW features a patented system of two bonded HT-100™ drag discs for the strength and power needed to defeat the world's largest big game fish.

OTHER INTERNATIONAL® FEATURES

All International® models feature harness lugs for the attachment of harnesses to offer extra support to the angler.

Double-dog design to help prevent any internal damage from the sudden, savage strike of even the biggest fish (not needed on the lightweight 12LT).

One piece right side plate on 12LT, 20T, 30T, 30TW, 50T and 50TW models. Not needed on massive 80TW. A one piece right side plate, which combines both bridge and side plate assemblies, allows extra strength in the right plate assembly and also eliminates any corrosion build-up between the bridge and the right side plate assemblies.

SETTING UP YOUR INTERNATIONAL® REEL FOR FISHING

First, mount your International® reel on your rod, attach clamp screws, rod clamp and any rod brace assemblies. Attach firmly but do not over tighten.

You can use either dacron or monofilament line on your International®, as capacities are approximately the same. Actual capacity will vary, depending on many factors, such as brand, line diameter, how tightly line is packed on, etc.

Be sure that the line goes on to your reel spool in the same direction (rotation) that it comes off the bulk spool. Doing this will help prevent twists. Load the line under plenty of tension to pack the spool hard while winding, occasionally criss-crossing the line every few layers to keep the line from "burying" itself under pressure from a big fish. Fill the spool to approximately 1/4 inch from the edge of the spool flange, and for best performance, keep your spool fully loaded. A full spool will make it easier and faster to recover line.



How you tie the line on to your spool is mostly a matter of personal preference. Whatever knot you use, be sure to tie it around the knurling or pin on the center of the arbor. An overhand knot in the tag end, to keep your arbor knot from slipping, and a couple of half-hitches as your arbor knot, will do the job.

The super braided lines, with extremely thin diameters for their breaking strength, can dramatically increase the capacities of these or any other reels. Check with your local Penn dealer, and above all, use common sense if fishing with these lines to avoid any possible warranty problems.

PRE-SETTING DRAG

The drag setting on your International® reel, as in all drag settings, should be set to slip at only 25 to 30 percent of the line's breaking strength. This apparently low setting builds in a good safety margin in case there are any weak links in your line or terminal tackle. Nicks, frays, general line wear and even knots can reduce the line's strength, so you will need this extra large margin of safety.

Working as a complement to the pre-set drag is the lever drag control. Basically, the higher you push the lever, the more drag pressure you add, just like pushing the brakes on a car. Your pre-set is adjusted with the lever pushed up to the strike button, but you can add or decrease drag pressure by pushing up or pulling back on the lever. The quadrant on Penn's International® reel features 120 degrees of adjustment, from free (no drag pressure) to strike (where you strike and fight the fish) to full drag, which gives you a few extra pounds of drag pressure when you need it. You should use the full drag conservatively, like a reserve. You can throw the lever up to full for slowing down a truly large fish at the beginning of its run, or at the end, when you're up to the double line or leader. Never use the full drag when a fish is rapidly depleting the spool. A smaller spool diameter of line translates into greater line tension, and backing off the drag is your way of compensating for this law of physics.

For the most accurate drag settings, use a spring scale. Attach one end of the scale to a solid object, run the line through your rod guides and attach the end of the line to the other end of the spring scale.

Always pre-set the drag with the lever in the strike position, but always remember to back off the lever down to the free position before turning the pre-set knob. Doing this will provide the most accurate and consistent pre-setting of the drag. If you turn the pre-set knob when the drag is in the strike or full position, or anywhere along the quadrant but the free position, you may damage some components in the drag system.

Rather than pointing the rod at the spring scale and pulling back to pull line directly from the reel, pull line from the rod tip, keeping the rod in a 10 or 11 o'clock fighting position, as if you had a fish on. When your spool starts to slip and yield line, check the reading on the spring scale. Pre-setting the drag on your International® reel is a trial-and-error process, but it is a most elementary and necessary step to enjoy the full potential of the Penn International® lever drag system.

Listed below are the recommended settings for your International® reels. Be sure to periodically check your drag setting with the spring scale, especially after battling a large fish. If you're "bumping up" into the next line class (50 lb. line on a 30TW, 80 lb. line on a 50TW, etc.), use the settings on the upper end of the range.

MODEL	LINE	STRIKE SETTING	FULL OR MAX. SETTING
80TW	80	20-28 LBS.	35-40 LBS.
50T & 50TW	50	12-17 LBS.	21-26 LBS.
30T & 30TW	30	7-10 LBS.	15-18 LBS.
20T	20	4-7 LBS.	10-12 LBS.

Remember that the strike position is where you want your lever to be to strike and fight the fish, using the full position, which will provide up to 1/3 more drag pressure, only when really needed.



Your Penn International® reel is quality manufactured for maximum durability, but like any precision instrument, reasonable care will ensure ultimate performance throughout many seasons.

After each fishing trip, the reel should be cleaned. First wipe or wash the reel with fresh water, preferably warm, to remove any accumulated salt deposits. Should you wash the reel, be careful not to use a driving force of water, since this will force the salt deposits into the reel's internal mechanisms. Rather, use a very fine spray to dissolve the salt on the external parts of the reel.

Dry excess moisture from the reel and then sparingly lubricate all exposed areas. Many fishermen use a pressurized spray oil for quick, easy protection after washing or wiping down their International® reels. Try not to get any oil on the fishing line, but should any excess spray oil get on the line, it will do no harm if you wipe the excess off right away. Other fishermen will apply a light coating of oil with a rag to the exposed metal parts on the reel for protection against the elements.

Your International® reel should be stored in a cool, dry place. Do not store in a plastic bag or airtight container, as the reel may develop condensation. Use the soft cloth bag provided with your International reel for storage.

Be sure to pull the drag lever all the way back to the free position for storage. This will take off pressure on various drag components, such as washers and springs, and will allow any of those internal parts to dry better if they get wet.

Tip: engage the click when storing your International® reel. Doing this will prevent the spool from turning too easily and tangling your line.

Periodically examine your International® reel and check for any loose screws or fittings. Depending upon use, your reel should be overhauled at least once every season.

Frequently lubricate all frictional points on your International®. A few spots on your International® reel to pay attention to for in-season lubrication are:

1. friction areas on the handle knob
2. the free, strike and full buttons on quadrant -- push buttons up and down while adding a few drops of lubricant
3. the friction areas on the underside of the click button

For best results, use Penn Reels lubricant. Penn's tubes of lube are just the ticket for lubricating oil ports and applying a few drops of oil where they will do the most good. Remember, only a few drops of oil are sufficient in most cases.

Do not over lubricate!

SERVICING YOUR INTERNATIONAL® REEL

When it's time for servicing, many International® owners opt for either a reputable Penn dealer in their area or factory servicing from Penn. See Penn Factory Servicing for details.

Penn recommends a good quality, waterproof grease for moving parts, such as gear teeth, the click assembly, the gear stud assembly, etc. For mechanically inclined anglers, Penn recommends using the International® exploded view as a guide when servicing their reels. Select a clean, quiet, well-lit work area. Organize the parts in the order in which you remove them –don't rely on just your memory!

If you are just changing drag washers, clutch springs, lubricating gears, etc., it's easier to start disassembly from the left side plate assembly. For the most thorough servicing, including a complete breakdown of parts and sub-assemblies, cleaning and various parts replacement, it's easier to start disassembly from the right side plate assembly.



When re-assembling, lubricate frictional surfaces on both internal and external parts. Be sure to grease threads on all external screws to provide insulation between screws, side plates, etc. Doing this will make the screws much easier to remove when servicing the reels again.

Do not over lubricate. Small amounts of grease in the right places and a regular servicing schedule will keep an International® reel humming for a lifetime of blue water fishing.

PENN SERVICING


Unlike many import companies, Penn prides itself in providing fast and excellent service at reasonable prices. This is possible because most Penn products are made in the U.S.A. and Penn maintains a policy of designing models to maximize Product and part continuity. Penn does not change products solely for the sake of change, but only when the change results in an improved Product. Many Penn Products have been in service for 40 years or more. Our customers marvel at their ability to easily obtain replacement parts to keep those models in service.

For the fastest repair service and spare parts, we suggest you contact your local Penn dealer. You may also return your Penn Product for factory service to one of the Penn Warranty Centers. Send it insured and include a short note describing the service you want. To avoid errors, make sure that your name and return address appear neatly and clearly on both your outside package and your note. Allow sufficient and reasonable time for Penn to receive and service your Product. Avoid our spring rush by sending your Penn Products in for service and repair during our fall or early winter.

Penn will notify you that your Product has been serviced, providing a reasonable charge for parts, labor and return postage, or you can request major credit card payment. Provide card type, name on card, card number, expiration date and daytime telephone number when paying by credit card.

1. By mail, please list model for which you are buying parts and order parts by name and number.
2. Include your legible, printed name, address and daytime telephone number (or e-mail or fax number if outside U.S.A.) with your order.
3. Penn will then send you an invoice, showing part prices plus shipping and handling charges.
4. There is a minimum part order of \$2.00 and a shipping and handling charge of \$3.00 on a minimum order.
5. Upon receipt of your payment (check or money order only), your order will be shipped to you via parcel post, air parcel post or U.P.S.
6. For faster service, you may also use your major credit card to mail in parts orders. Specify credit card, account number and expiration date when ordering parts. Be sure to include information requested in Steps 1 & 2.
7. You may also use your major credit card to place parts orders over the telephone. Call the Penn Parts Department at (215) 229-9415 between 8:30 and 4:30 pm U.S. East Coast time.
8. For fastest service, see your local Penn dealer. Check telephone directory or our web site (www.pennreels.com) for dealer nearest you.

www.PENNparts.com

 **Scott's Bait & Tackle**

**Penn Parts Dept.
945 Radio Road
Tuckerton NJ 08087
(609) 296-1300**

**No Minimum Order!
Plus, Parts in stock
that Penn doesn't
carry anymore.**



Service Record:

Notes:

